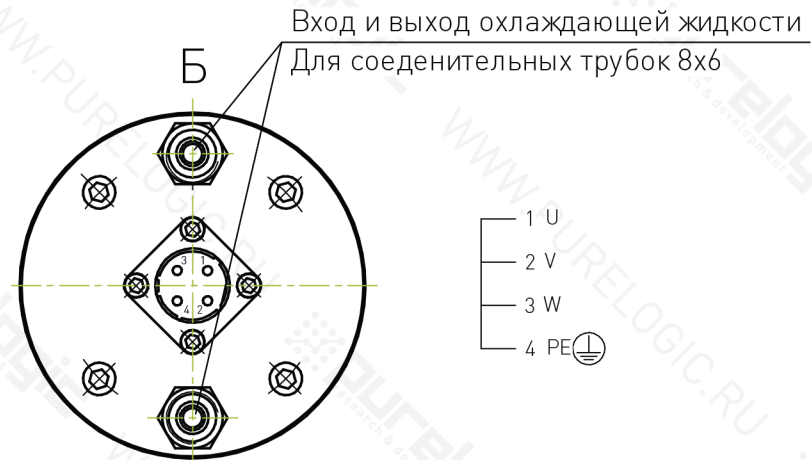
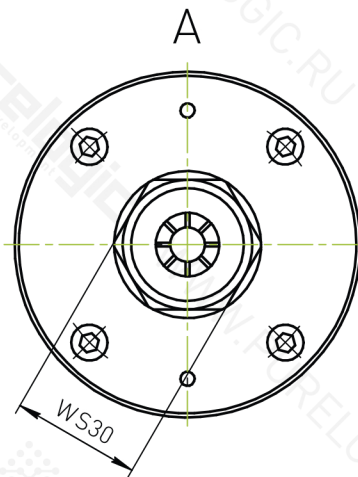
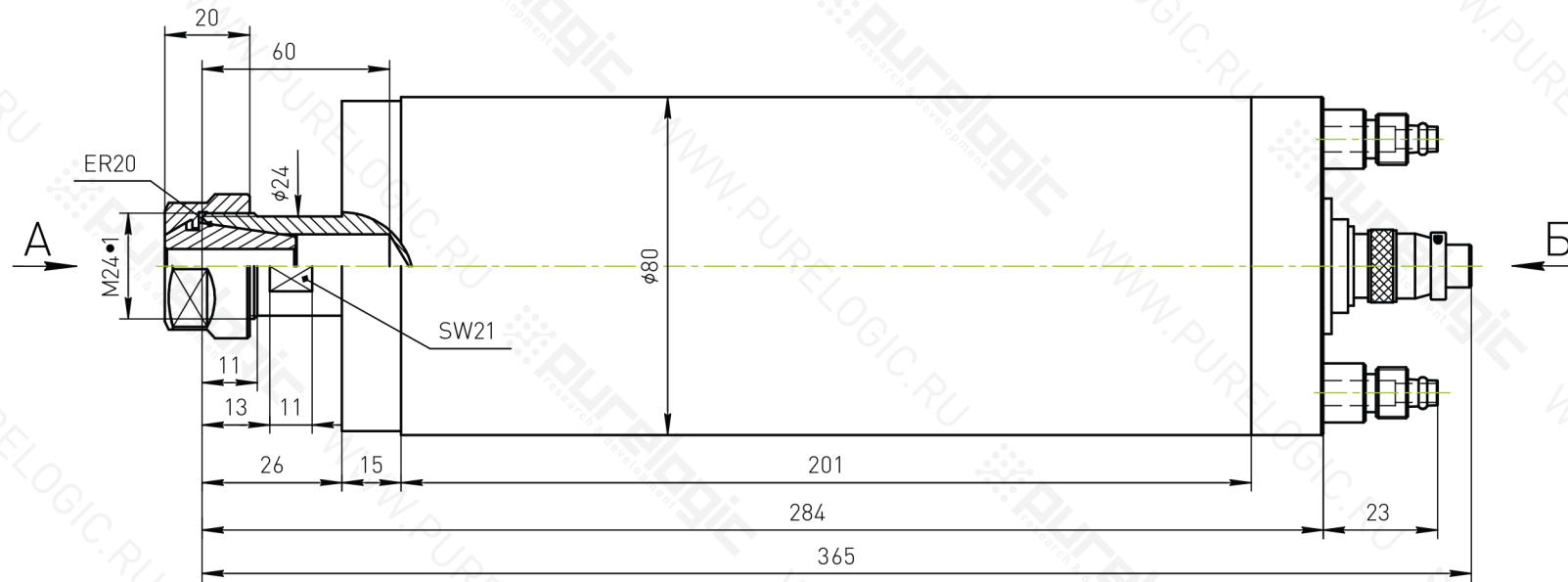
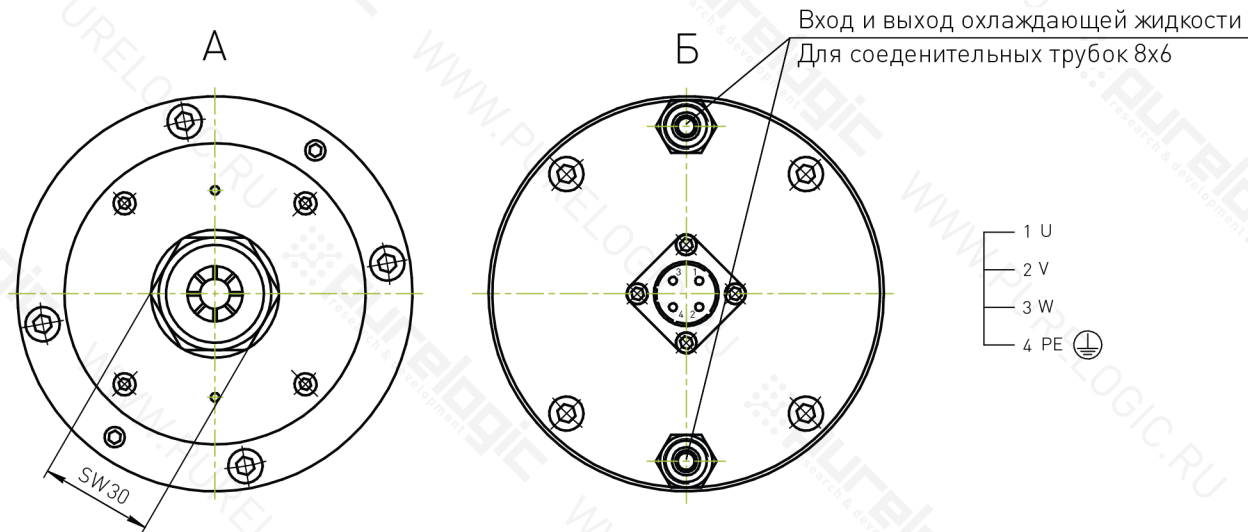
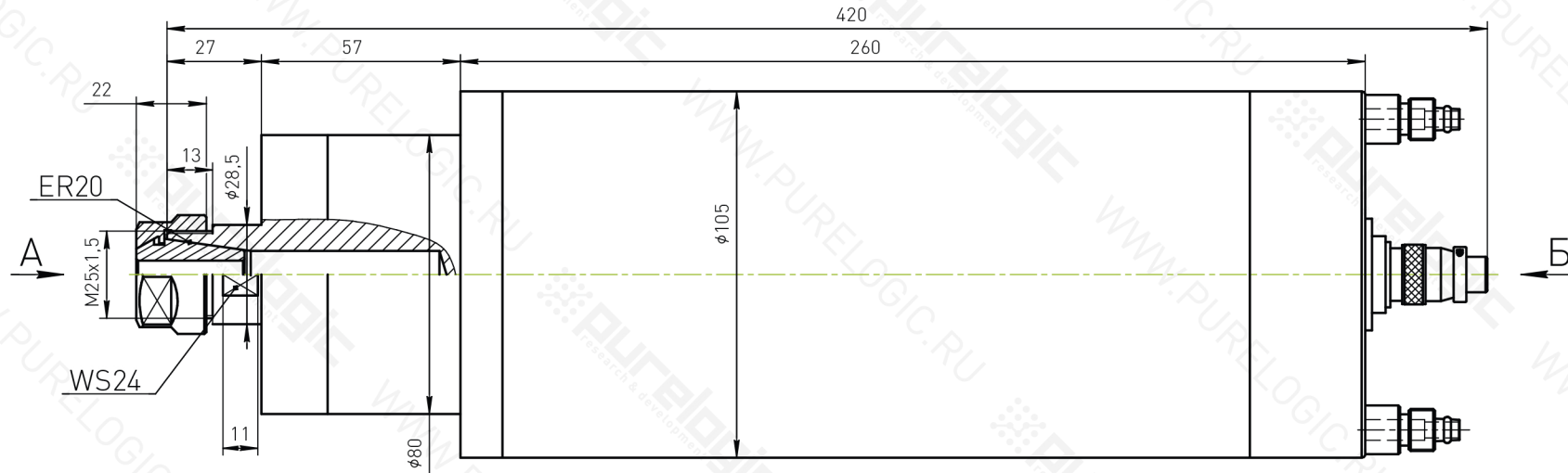


QW2.2/220/12K-D80/ER20



QW3.0/220/9K-D105/ER20



QW5.5/380/9K-D125/ER32

