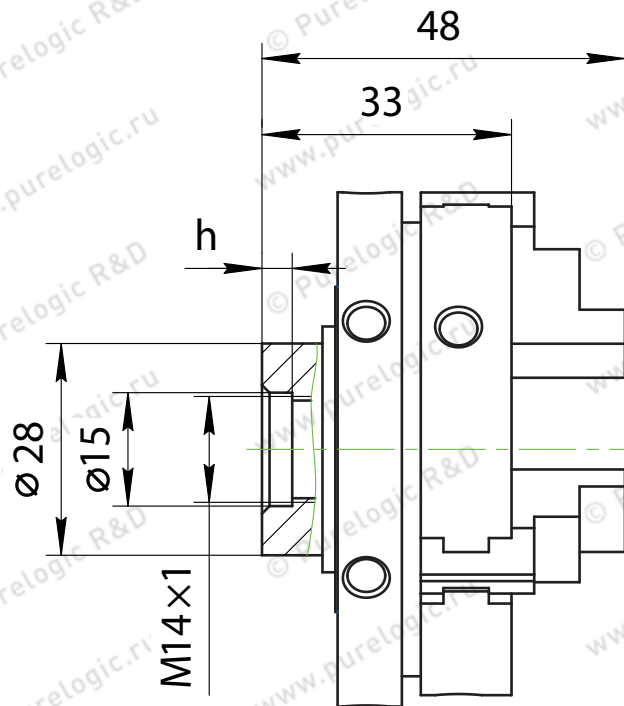
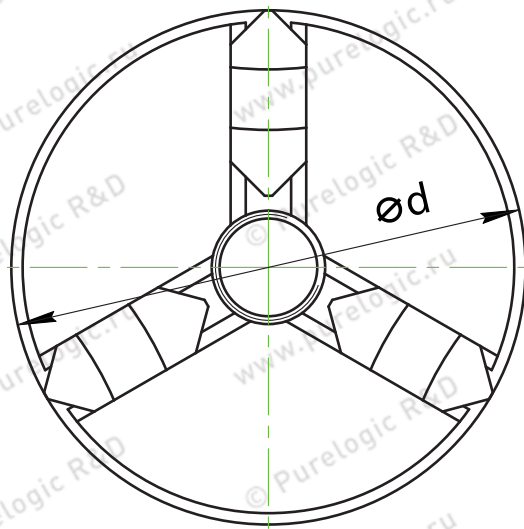
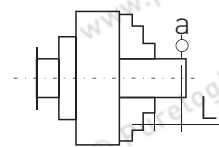
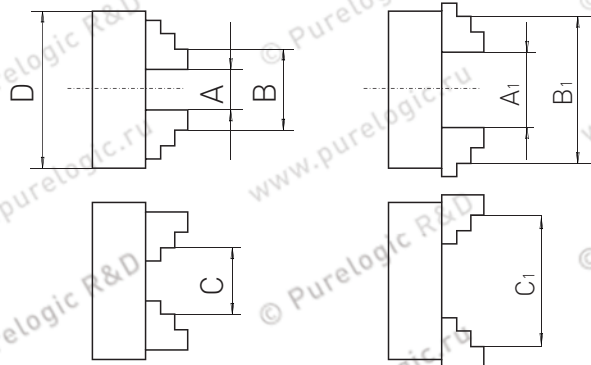


Токарный патрон 3-х кулачковый (мини)



Hold range

G2. Diameter runout of testing bar elamped in the jaws of the chuck

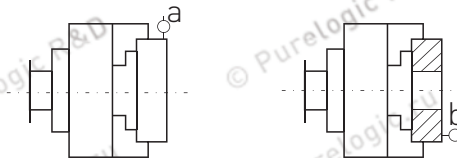


Permissible error, (mm)	
L	a
20	0.01

G3. Runout of testing ring clamped on the inside stepped surface of the chuck

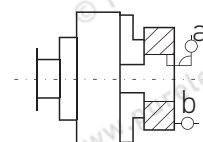
mm

Diameter of chuck D	d	h	Internal jaws		External jaws
			A-A ₁	B-B ₁	C-C ₁
K01-50	52	6	1-15	20-48	20-47
K01-65	68	4	2-14	25-50	30-45



Permissible error, (mm)	
a	b
0.01	0.008

G4. Runout of testing ring stretched on the outside stepped surface of the chuck



Permissible error, (mm)	
a	b
0.01	0.08