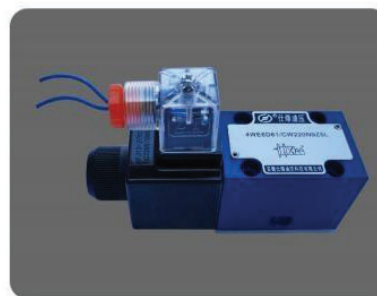


КАТАЛОГ

ГИДРОРАСПРЕДЕЛИТЕЛИ

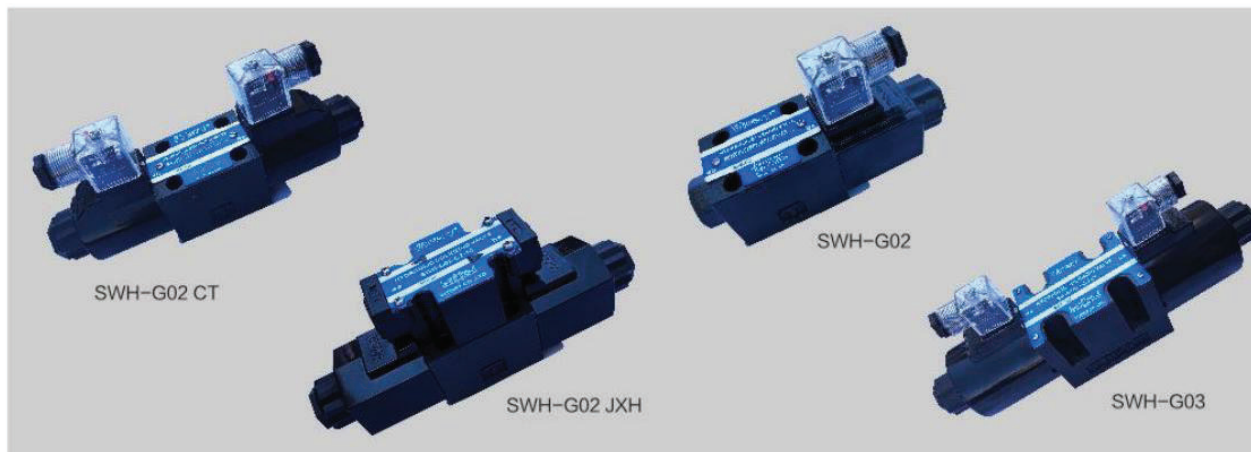


CONTENTS

1. SWH series Solenoid Operated Directional Valves
SWH 系列电磁换向阀
2. 4WE Rexroth Type Solenoid Operated Directional Valves
4WE 力士乐型电磁换向阀
3. DSHG Yuken Type Electrohydraulic Directional Valves
DSHG 油研型电液换向阀
4. 4WEH Rexroth Type Electrohydraulic Directional Valves
4WEH 力士乐型电液换向阀
5. WE-G03 series solenoid directional valve for shoes cutting machine
WE-G03 系列鞋机裁断机专用电磁换向阀
6. MCV Modular check valve
MCV 叠加式单向阀
7. DB/DBW Pilot Operated Relief Valves
DB/DBW 先导式（电磁）溢流阀
8. MRV Modular Relief Valves
MRV 叠加式溢流阀
9. MPCV series modular hydraulic control check valve
MPCV 系列叠加式液控单向阀
10. MTCV series modular type throttle check valve
MTCV 系列叠加式单向节流阀
11. MBRV Modular Pressure Reducing Valves
MBRV 叠加式减压阀
12. SV Cartridge Solenoid Valves
SV 插装式电磁阀
13. EDG/EBG Proportional (Pilot) Relief Valves
EDG/EBG 比例（先导式）溢流阀
14. EFBG Proportional Relief and Flow Valves
EFBG 比例溢流调速阀
15. Coils / 线圈
16. DIN Connectors / 插头

SWH series SOLENOID OPERATED DIRECTIONAL VALVES

SWH 系列油研型电磁换向阀



Technical Parameters / 技术参数

Model/ 型号	SWH-G02	SWH-G03
Max Operating Pressure/最高工作压力	31.5 MPa	31.5 Mpa
Max Flow /最大流量	63 L/min	120 L/min
Max T-Line Back Pressure MPa/最大背压(MPa)	14	16
Max Changover Frequency(Cycles/Min)最高换向频率(次/分钟)	300	240
Net Weight / 产品净重	Single Coil 单线圈	1.3KG
	Double Coil 双线圈	1.6KG
		4KG
		5.6KG

Model Specification/ 选型说明

SWH **G** **03** **C2** **A220** **10**
① ② ③ ④ ⑤ ⑥

①.SWH-Solenoid Directional Valve (Yuken Type)

②.G- mounting type, G:subplate mounting

③.02/03- Valve size

④.3C2- Spool symbol (see the check table in above CONTENTS)

⑤.A220: AC交流220V (D12/D24/A110/A220/A240)

⑥.Wiring method, 10:Terminal Box Type (接线盒式) , 20: DIN connector (插头式)

4WE Rexroth type SOLENOID OPERATED DIRECTIONAL VALVES

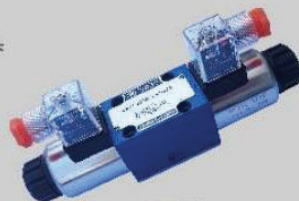
4WE 力士乐型电磁换向阀



4WE6 单头



4WE10 方形



4WE6



4WE10

Technical Parameters /技术参数

Model/ 型号	4WE6	4WE10
Max Operating Pressure/最高工作压力	31.5 MPa	31.5 MPa
Max Flow /最大流量	61L/min	DC160L/min AC120L/min
Hydraulic oil temperature range 液压油温度范围	0~55℃	0~55℃
Available voltages 使用电压	DC12V DC24V	DC and AC voltage
Maximum switching frequency(Cycle/Min)最高换向频率	DC 250Cycle/Min	DC 252Cycle/Min AC 120Cycle/Min
Max T-port Back Pressure MPa/最大背压(MPa)	16MPa	DC 21MPa/AC16MPa
Net Weight /产品净重	Single Coil 单线圈	1.3KG
	Double Coil 双线圈	1.6KG
		4KG
		5.6KG

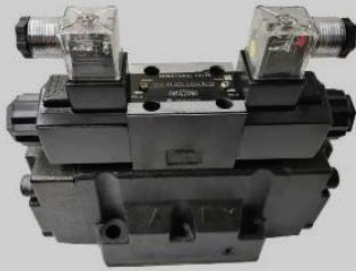
Model Specification/ 选型说明

4 WE 6 G /S G24 N9 Z5
① — ② — ③ — ④ — ⑤ — ⑥ — ⑥ — ⑥

- ①.4-两位四通，三位四通 Two position four way, Three position four way
- ②.WE- 电磁换向阀 Directional valve
- ③.6- 6通径 size 6
- ④.G- 阀芯型号 Spool model
- ⑤.仕烽油压 SHIFENG HYDRAULIC
- ⑥.G24-直流24V DC 24V | W220 交流220V AC220V | W220R 交流220V带集成整流器 AC220V with integrated rectifier
- ⑦.N-N 带故障检查按钮 N-with fault check button | N9-N 带隐藏式故障检查按钮 N9-with concealed fault check button
- ⑧.Z5-大号直角插头 Large size right angle connector | Z4-标准插头 Z4-standard connector

DSHG Yuken Type Electrohydraulic Directional Valves

DSHG 油研型电液换向阀



DSHG-04



DSHG-06

Technical Parameters / 技术参数

Model/ 型号	DSHG-04	DSHG-06	DSHG-10
Max Operating Pressure/最高工作压力	31.5 MPa	31.5 Mpa	31.5 MPa
Max Flow /最大流量	300 L/min	500 L/min	900 L/min
Voltage fluctuation range 电压波动范围	± 10%	± 10%	± 10%
Net Weight /产品净重	8.7 KG	15.1 KG	41 KG

Model Specification/ 选型说明

DSHG 04 3C2 E T D24

① — ② — ③ — ④ — ⑤ — ⑥

- ①. Electro hydraulic operated directional valves
- ②. Size: 04/06/10
- ③. spool model number 阀芯代码
- ④. Control method: E: External Pilot 外控, None无代码: Internal Pilot(内控)
- ⑤. Drain method: T: Internal drain (内泄), None 无代码: External drain(外泄)
- ⑥. D24: DC24V, A220: AC 220V

4WEH Rexroth Type Electrohydraulic Directional Valves 4WEH 力士乐型电液换向阀



4WEH16



4WEH25

Technical Parameters /技术参数

Model/ 型号	4WEH16	4WEH25	4WEH32
Max Operating Pressure/最高工作压力	35 MPa	35 MPa	35 MPa
Max Flow /最大流量	300 L/min	650 L/min	1100 L/min
Voltage fluctuation range 电压波动范围	± 10%	± 10%	± 10%
Net Weight /产品净重	10.1 KG	18.4 KG	50 KG

Model Specification/ 选型说明

4WEH 16 E * ET G24
① ————— ② ————— ③ ————— ④ ————— ⑤ ————— ⑥

- ①. Electro hydraulic operated directional valves
- ②. 16:NG16 (16通径) ,25:NG25 (25通径) , 32:NG32 (32通径)
- ③. spool model number 阀芯代码
- ④. None: 60 Series
- ⑤. None: external control external discharge, E: Internal control external discharge
ET: Internal control internal discharge, T: External control internal discharge
- ⑥. G12: DC12V G24: DC24V W110R: AC110V rectified (本整交流110V)
W220R: AC220V rectified (本整交流220V)

WE-G03 series solenoid directional valves for shoes cutting machine

WE-G03 系列鞋机裁断机专用电磁换向阀



WE-G03-2B11B-A220-N



WE-G03-3C5-A220-N

Technical Parameters / 技术参数

Model/ 型号	WE-G03	
Max Operating Pressure/最高工作压力	31.5 MPa	
Max Flow /最大流量	120 L/min	
Max T-Line Back Pressure MPa/最大背压 (MPa)	16	
Max Changerover Frequency (Cycles/Min) 最高换向频率 (次/分钟)	240	
Net Weight / 产品净重	Single Coil 单线圈	AC3KG / DC3.7KG
	Double Coil 双线圈	AC3.7KG / DC5KG

Model Specification/ 选型说明

WE **G** **03** **3C5** **A220** **N**
 ① ② ③ ④ ⑤ ⑥

- ①.WE-Solenoid Directional Valve for shoes cutting machines
- ②.G- mounting type, G:subplate mounting
- ③.02/03- Valve size
- ④.3C2- Spool symbol (see the check table in above CONTENTS)
- ⑤.A220: AC交流220V (D12/D24/A110/A220/A240)
- ⑥.Wiring method, None 空白:Terminal Box Type (接线盒式) , N: DIN connector(插头式)

MCV Modular check valve

MCV 叠加式单向阀



MCV-02



MCV-03

Technical Parameters / 技术参数

Model/ 型号	最大工作压力max pressure (kgf/cm ²)	最大流量max flow (L/min)
MCV-02-*	250	35
MCV-03-*	250	70
MCV-04-*	250	180
MCV-06-*	250	280

Model code / 型号说明

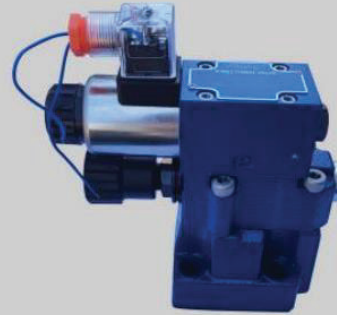
MCV	02	P	-05
series model	nominal diameter	control port	pressure range(kgf/cm ²)
MCV Modular check valve 叠加式单向阀	02:6	P: P hole A: A hole B: B hole T: T hole	-05: 0.35 50: 5.0
	03:10		
	04:16		
	06:25		

DB/DBW Pilot Operated Relief Valves

DB/DBW 先导式 (电磁) 溢流阀



DB10



DBW10

Technical Parameters / 技术参数

Model/ 型号	DB10	DB20	DB30	DBW10	DBW20	DBW30
Max Operating Pressure/最高工作压力	31.5 MPa	31.5 Mpa	31.5 Mpa	31.5 Mpa	31.5 Mpa	31.5 MPa
Max Flow /最大流量	250 L/min	500 L/min	650 L/min	250 L/min	500 L/min	650 L/min
Net Weight /产品净重	3.4KG	4.4KG	5.6KG	4.9KG	5.8KG	7KG

Model Specification/ 选型说明

DB **W** **10** **B** **D24**
 ① ————— ② ————— ③ ————— ④ ————— ⑤

- ①. Pilot solenoid operated relief valves 先导式 (电磁) 溢流阀
- ②. None: without pilot valve (不带导阀), W:with pilot valve (带导阀)
- ③. Size: 10/20/30
- ④. A: Normally closed (常闭), B:normally open (常开)
- ⑤. D24: DC 24V A220: AC220V

MRV Modular Relief Valves MRV 叠加式溢流阀



MRV-02



MRV-03

Technical Parameters / 技术参数

Model/ 型号	MRV-02	MRV-03
Max Operating Pressure/最高工作压力	25 MPa	25 MPa
Max Flow /最大流量	45 L/min	100 L/min
Net Weight /产品净重	1.4 KG	3.3 KG

Model Specification/ 选型说明

MRV 2 P *

① ——— ② ——— ③ ——— ④

- ①. Modular relief valves 叠加式溢流阀
- ②. Size: 02 / 03
- ③. P: P port (P 孔), A:A PORT (B孔), B:B PORT (B孔), W:A&B PORT (A&B孔)
- ④. None: 25MPa, 1: 7MPa, 2:14MPa

MPCV series modular hydraulic control check valve

MPCV 系列叠加式液控单向阀



MPCV-02W

Technical Parameters / 技术参数

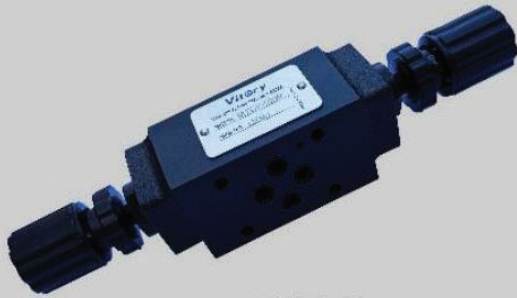
Model/ 型号	最大工作压力 max pressure (kgf/cm ²)	压力调节范围 pressure range (kgf/cm ²)	最大流量 max flow (L/min)
MPCV-02-*	250	1:8-70	35
MPCV-03-*			70
MPCV-04-*		3:10-210	180
MPCV-06-*			280

Model code / 型号说明

MPCV	02	W	05	-S
series model	nominal diameter	control port	pressure range (kgf/cm ²)	spool type
叠加式液控单向阀 Modular hydraulic control check valve	02:6	A: A hole B: B hole W: A&B hole	05: 0.35 50: 5.0	S: 小端面 small end
	03:10			
	04:16			D: 双段式 double section
	06:25			

MTCV series modular type throttle check valve

MTCV 系列叠加式单向节流阀



MTCV-02



MTCV-03

Technical Parameters / 技术参数

Model/ 型号	最大工作压力 max pressure (kgf/cm ²)	压力调节范围 pressure range (kgf/cm ²)	最大流量 max flow (L/min)
MTCV-02-*	250	0.3-35	35
MTCV-03-*			70
MTCV-04-*			180
MTCV-06-*			280

Model code / 型号说明

MTCV	02	P	-I	-KB
series model	nominal diameter	control port	control type	knob type
叠加式单向节流阀 Modular type throttle check valve	02:6	P: P hole A: A hole B: B hole W: A&B hole	O: drain port control I: inlet port control	KB: black knob KW: white knob L: Inner hexagonal knob
	03:10			
	04:16			
	06:25			

MBRV Modular Pressure Reducing Valves

MBRV 叠加式减压阀



Technical Parameters / 技术参数

Model/ 型号	MBRV-02	MBRV-03
Max Operating Pressure / 最高工作压力	25 MPa	25 MPa
Max Flow / 最大流量	45 L/min	100 L/min
Net Weight / 产品净重	1.3 KG	3.4 KG

Model Specification/ 选型说明



- ①. Modular pressure reducing valves 叠加式减压阀
- ②. Size: 02 / 03
- ③. P: P port (P 孔), A:A PORT (B孔), B:B PORT (B孔)
- ④. None: 25MPa, 1: 7MPa, 2:14MPa

SV Cartridge Solenoid Valves SV 插装式电磁阀



Technical Parameters / 技术参数

Model/ 型号	SV-08	SV-10	SV-12	SV-16
Max Operating Pressure / 最高工作压力	25 MPa	25 Mpa	25 MPa	25 MPa
Max Flow / 最大流量	30 L/min	50 L/min	95 L/min	150 L/min
Net Weight / 产品净重	0.3 kg	0.42 kg	0.6 kg	0.7 kg

Model Specification/ 选型说明

SV **08** **20** **D24**
① ——— ② ——— ③ ——— ④

- ①. Cartridge solenoid valves 插装式电磁换向阀
- ②. Size: 08/10/12/16
- ③. 20: Normally closed , 21: Normally open
- ④. D24: DC 24V , A220: AC220V

EDG/EBG Proportional (Pilot) Relief Valves

EDG/EBG 比例（先导式）溢流阀



EBG-03



EDG-01

Technical Parameters / 技术参数

Model/ 型号	EDG-01	EBG-03	EBG-06
Max Operating Pressure / 最高工作压力	25 MPa	25 MPa	25 MPa
Max Flow / 最大流量	2 L/min	100 L/min	200 L/min
Net Weight / 产品净重	2.2 kg	6.9 kg	7.8 kg

Model Specification/ 选型说明

EDG **01** **H**
 ① ————— ② ————— ③

①. Proportional (Pilot) Relief Valves 比例（先导式）溢流阀

②. Size: 01

③. H:25MPa , C:14MPa , B:7MPa

EBG **03** **H**
 ① ————— ② ————— ③

①, Proportional (Pilot) Relief Valves 比例（先导式）溢流阀

②, Size: 03 / 06

③, H:25MPa , C:14MPa

EFBG Proportional Relief and Flow Valves EFBG 比例溢流调速阀



EFBG-03.1



EFBG-03.2

Technical Parameters / 技术参数

Model/ 型号	EFBG-03	EFBG-06
Max Operating Pressure / 最高工作压力	25MPa	25MPa
Max Flow / 最大流量	160L/min	250L/min
Net Weight / 产品净重	17kg	35kg

Model Specification/ 选型说明

EFBG **03** **160** **H**

- ①. Electrohydraulic proportional relief flow control valve
- ②. Size: 03 / 06
- ③. 125: 125 L/min , 160: 160L/min
- ④. H: 25 MPa , C: 14MPa

Coils 线圈



Technical Parameters / 技术参数

Model/ 型号	C-02	C-03	C-NG6	C-NG10	C-13	C-16
Inner diameter (mm) 内径尺寸	Φ23mm	Φ31.5mm	Φ23mm	Φ31.5mm	Φ13mm	Φ16mm
Shell materials 外壳材料	Nylon	Nylon	Steel	Steel	Nylon	Nylon
Net Weight / 产品净重	0.3KG	0.8KG	0.3KG	0.9KG	0.15KG	0.25KG

Model Specification/ 选型说明



①. Coils

②. Size: 02:23mm, 03:31.5mm , 13: 13mm , 16: 16mm

③. D24: DC24V , A220: AC220V



Technical Parameters / 技术参数

Model/ 型号	coil-AC	coil-DC
Description 品名	solenoid valve DIN connector	solenoid valve DIN connector
Shell materials 外壳材料	PC	PC
Color 颜色	Transparent color	Transparent color
Net Weight / 产品净重	0.1 KG	0.1 KG



8 (800) 555-63-74 бесплатные звонки по РФ
+7 (473) 204-51-56 Воронеж
+7 (495) 505-63-74 Москва



www.purelogic.ru
info@purelogic.ru
394033, Россия, г. Воронеж,
Ленинский пр-т, 160, офис 149

Пн	Вт	Ср	Чт	Пт	Сб	Вс
	8 ⁰⁰ -17 ⁰⁰			8 ⁰⁰ -16 ⁰⁰		выходной