

# КАТАЛОГ

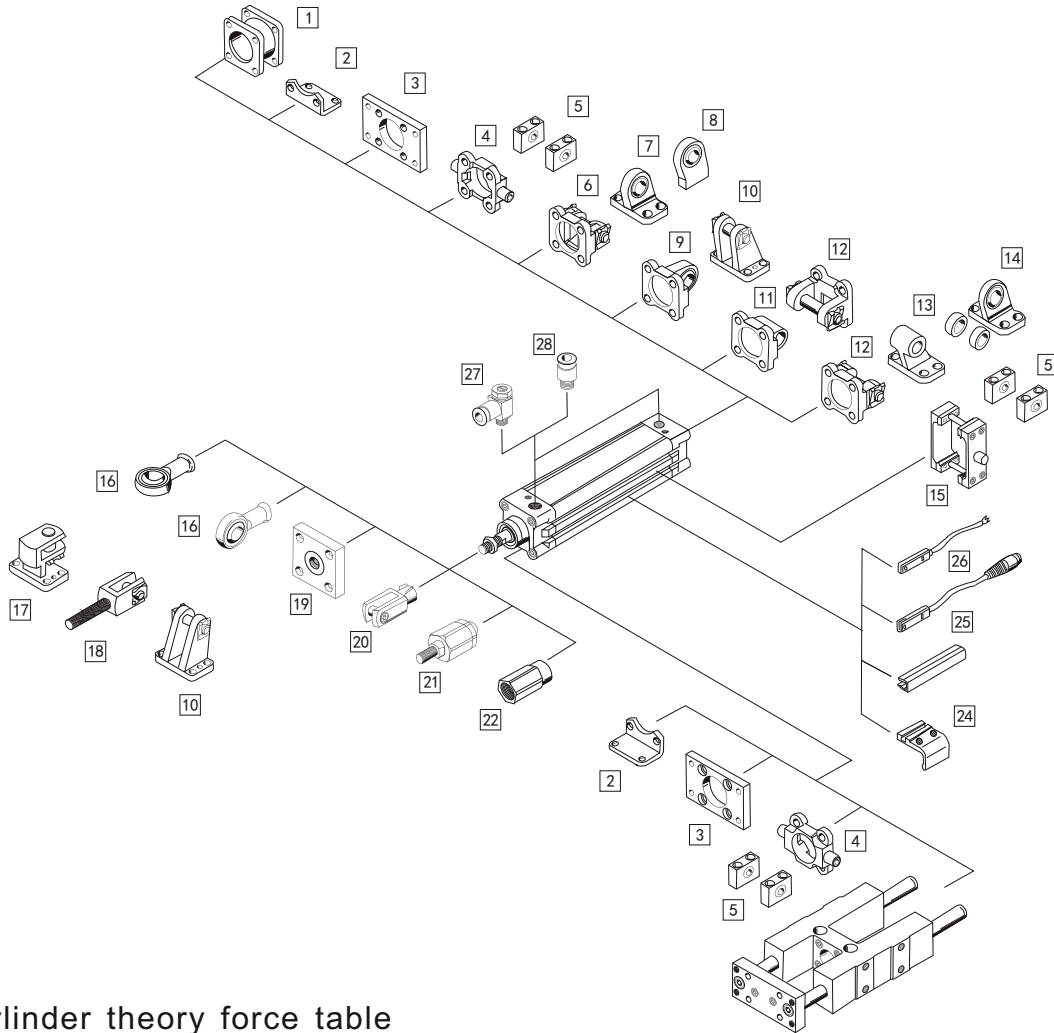
## Пневмоцилиндры





Technical Data 1

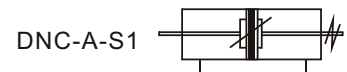
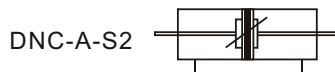
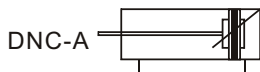
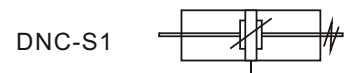
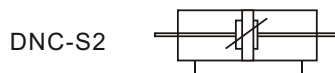
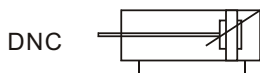
■ Cylinder Peripheral Component



■ Air cylinder theory force table

Bore (mm)	OD of rod (mm)	Acting type	Actual working area(mm <sup>2</sup> )	Working pressure(Mpa)									
				0.1	0.2	0.3	0.4	0.5	0.6	0.7	0.8	0.9	
32	12	Double acting	Push force	804	80.4	160.8	241.2	321.6	402.0	482.4	562.8	643.2	723.6
			Pull force	690	69.0	138.0	207.0	276.0	345.0	414.0	483.0	552.0	621.0
40	16	Double acting	Push force	1256	125.6	251.2	376.8	502.4	628.0	753.6	879.2	1002.4	1130.4
			Pull force	1055	105.5	211.0	316.5	422.0	527.5	633.0	738.5	844.0	949.5
50	20	Double acting	Push force	1963	196.3	392.6	588.9	785.2	981.5	1177.8	1374.1	1570.4	1766.7
			Pull force	1649	164.9	329.8	494.7	659.6	824.5	989.4	1154.3	1399.2	1484.1
63	20	Double acting	Push force	3117	311.7	623.4	935.1	1246.8	1558.5	1870.2	2181.9	2493.6	2805.3
			Pull force	2803	280.3	560.6	840.9	1121.2	1401.5	1681.8	1962.1	2242.4	2522.7
80	25	Double acting	Push force	5026	502.6	1005.2	1507.8	2010.4	2513.0	3015.6	3518.2	4020.8	4523.4
			Pull force	4536	453.6	907.2	1360.8	1814.4	2268.0	2721.6	3175.2	3628.8	4082.4
100	25	Double acting	Push force	7853	785.3	1570.6	2355.9	3141.2	3926.5	4711.8	5497.1	6282.4	7067.7
			Pull force	7362	736.2	1472.4	2208.6	2948.6	3681.0	4417.2	5153.4	5889.6	6625.8
125	32	Double acting	Push force	12272	1227.2	2454.4	3681.6	4908.8	6136.0	7363.2	8590.4	9817.6	11044.8
			Pull force	11468	1146.8	2293.6	3440.4	4587.2	5734.0	6880.8	8027.6	9174.4	10321.2
160	40	Double acting	Push force	20106	2010.6	4021.2	6031.8	8042.4	10053.0	12063.6	14074.2	16084.8	18095.4
			Pull force	18849	1884.9	3769.8	5654.7	7539.6	9424.5	11309.4	13194.3	15079.2	16964.1
200	40	Double acting	Push force	31416	3141.6	6283.2	9424.8	12566.4	15708.0	18849.6	21991.2	25132.8	28274.4
			Pull force	30157	3015.7	6031.4	9047.1	12062.8	15078.5	18094.2	21109.9	24125.6	27141.3

## DNC Series ISO6431 Standard Cylinder



### Ordering Code DNC Series ISO6431 Standard Cylinder

DNC	32 X	50	- 20 -	PPV	- A	- S2
Series Code	Bore	Stroke	Adjustable Stroke	Cushion	Magnet	Type
DNC: Basic type FNC: Front Rear Plate Mounting ZNC: Centre Trunnion Mounting SNCB: Single Trunnion Mounting SNCL: Double Trunnion Mounting			10:10mm 20:20mm 30:30mm 40:40mm 50:50mm 75:75mm 100:100mm	Blank: No Cushion PPV: With Cushion	Blank: Without Magnet A: With Magnet	Blank: Standard Cylinder S1: Double-shaft, adjustable stroke type S2: Double-shaft type

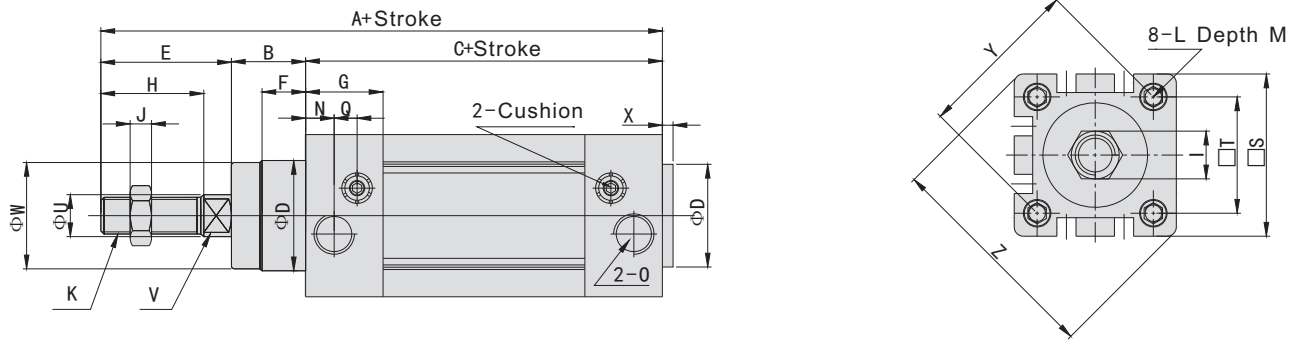
### Specifications

Bore (mm)	32	40	50	63	80	100	125
Acting type	Double acting						
Working medium	Clean air (40µm Filtration)						
Mounting type	DNC Series: Basic type FA FB CA CB CR LB TC TC-M						
	DNC-S2 Series: Basic type FA LB TC TC-M						
Working pressure range	0.1~1.0Mpa						
Guaranteed pressure	1.35Mpa						
Working temperature	-5~70°C						
Speed range	50~800mm/s						
Cushion type	Adjustable cushion						
Cushion stroke	24mm			32mm			
Working life	≥4000Km						
Port size	G1/8	G1/4		G3/8		G1/2	

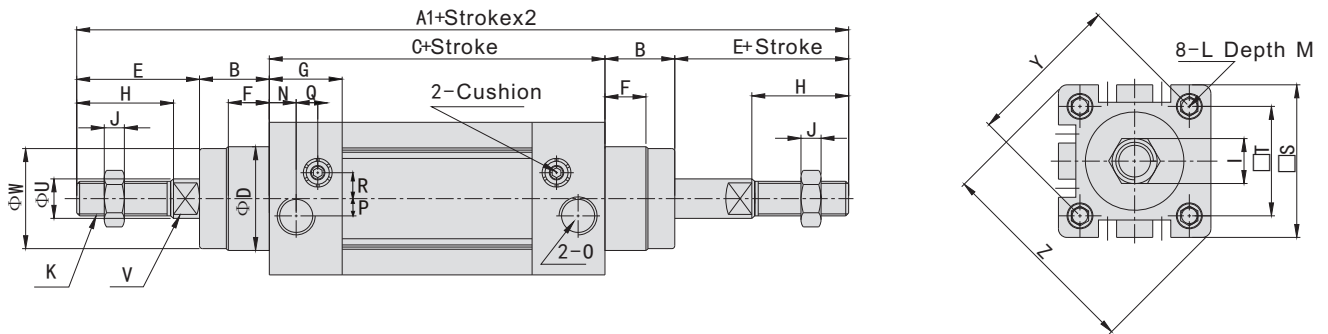
## DNC Series ISO6431 Standard Cylinder

### Main Dimensions

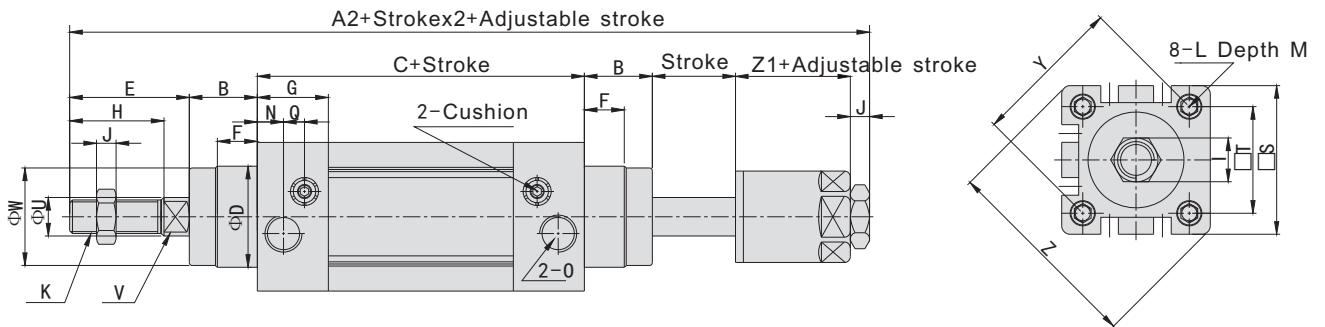
#### DNC Basic type



#### DNC-S2 Double shaft type



#### DNC-S1 Double shaft adjustable stroke type

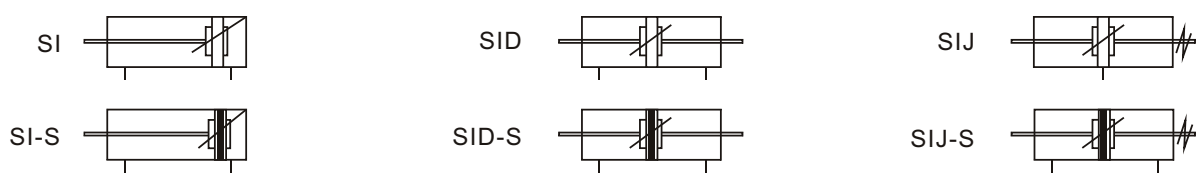


Bore	Sign	A	A1	A2	B	C	D	E	F	G	H	I	J	K
32		142	190	185	16	94	30	32	10	25	22	17	6	M10X1.25
40		159	213	207	20	105	35	34	10	29.5	24	17	7	M12X1.25
50		175	244	233	27	106	40	42	10	32	32	23	8	M16X1.5
63		190	258	247	26	122	45	42	10	36	32	23	8	M16X1.5
80		214	301	288	35	127	45	52	10	37	40	26	10	M20X1.5
100		229	321	308	40	137	55	52	10	39	40	26	10	M20X1.5
125		279	352	-	46	160	60	73	20.5	44.7	54	-	-	M27X2

Bore	Sign	M	N	O	P	Q	R	S	T	U	V	W	X	L	Z1
32		12	15	G1/8	5	3	6.5	45	32.5	12	10	28	4	M6	21
40		12	17.5	G1/4	7	3	7	52	38	16	13	33	4	M6	21
50		12	21	G1/4	7	3	9	65	46.5	20	17	38	4	M8	23
63		12	23	G3/8	8	5	9	76	56.5	20	17	40	4	M8	23
80		12	24	G3/8	10	5	12	94	72	25	22	43	5	M10	29
100		12	26	G1/2	10	5	14	112	89	25	22	47	6	M10	29
125		-	22.3	G1/2	13	8	16	134	110	32	27	58	6	M12	-



## SI Series ISO6431 Standard Cylinder



### Ordering Code SI Series ISO6431 Standard Cylinder

**SI 50 X 50 - S - 20 - LB**

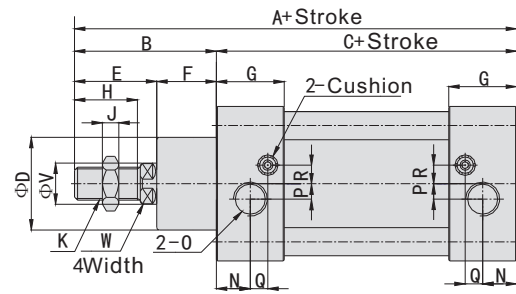
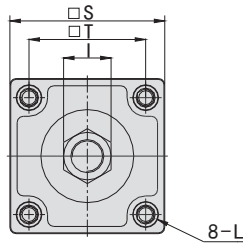
- Series Code**: SI: Standard cylinder, SID: Double-shaft type, SIJ: Double-shaft, adjustable stroke type
- Bore**: 50
- Stroke**: 50
- Magnet**: Blank: Without Magnet, S: With Magnet
- Adjustable Stroke**: 10:10mm, 20:20mm, 30:30mm, 40:40mm, 50:50mm, 75:75mm, 100:100mm
- Mounting type**: Blank: Standard Cylinder, LB: Leg mounting, FA: Front rear plate mounting, FB: Front rear plate mounting, CA: Single trunnion mounting, CB: Double trunnion mounting, CR: Double trunnion with Hinge mounting, TC: Centre trunnion mounting

### Specifications

Bore (mm)		32	40	50	63	80	100	125	160	200
Acting type		Double acting								
Working medium		Clean air (40µm Filtration)								
Mounting type	SI Series	Basic type FA FB CA CB LB TC TC-M1 TC-M2								
	SID Series	Basic type FA LB TC TC-M1 TC-M2								
	SIJ Series	Basic type FA LB TC TC-M1 TC-M2								
Working pressure range		0.1~1.0Mpa								
Guaranteed pressure		1.5Mpa								
Working temperature		5~70°C								
Speed range		SI Series: 50~800mm/s Other-Series: 30-800mm/s								
Cushion type		Adjustable cushion								
Cushion stroke		27mm		30mm		36mm		40mm		50mm
Port size		G1/8	G1/4		G3/8		G1/2		G3/4	

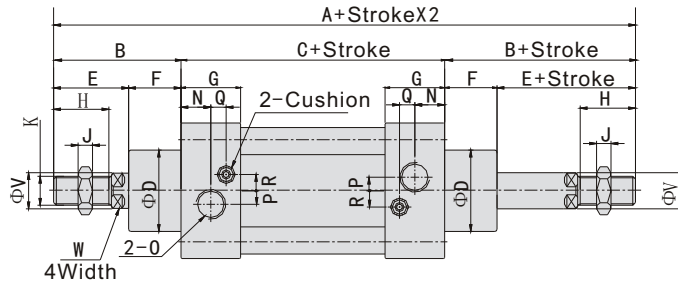
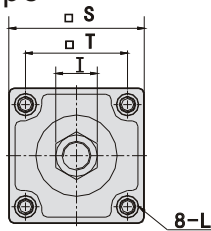
**Main Dimensions**

**Basic type**



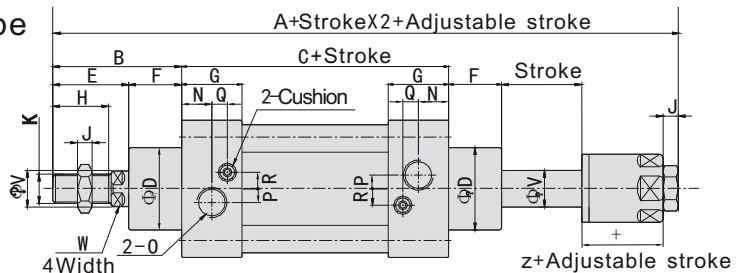
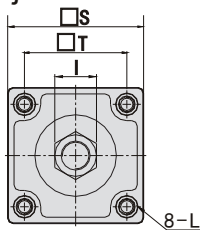
Bore	Sign	A	B	C	D	E	F	G	H	I	J	K	L	N	O	P	Q	R	S	T	V	W
32		142	48	94	30	32	16	28	22	17	6	M10X1.25	M6	13.5	G1/8	4	7.5	7	47	32.5	12	10
40		159	54	105	35	36	18	29	24	19	7	M12X1.25	M6	16	G1/4	6	9.5	9	53	38	16	13
50		175	69	106	40	44	25	31	32	24	8	M16X1.5	M8	18.5	G1/4	8.5	6.7	9	65	46.5	20	17
63		190	69	121	45	44	25	32	32	24	8	M16X1.5	M8	19	G3/8	6	7.7	9	75	56.5	20	17
80		214	86	128	45	56	30	35	40	30	10	M20X1.5	M10	19	G3/8	10	5	13.5	95	72	25	22
100		229	91	138	55	59	32	36	40	30	10	M20X1.5	M10	18	G1/2	12.5	10	14.5	115	89	25	22
125		279	119	160	60	74	45	46	54	41	13.5	M27X2	M12	23	G1/2	14	12	14	140	110	32	27
160		332	152	180	65	94	58	50	72	55	18	M36X2	M16	25	G3/4	15	12	20	180	140	40	36
200		347	167	180	75	107	60	50	72	55	18	M36X2	M16	25	G3/4	15	12	20	220	175	40	36

**Double shaft type**



Bore	Sign	A	B	C	D	E	F	G	H	I	J	K	L	N	O	P	Q	R	S	T	V	W
32		190	48	94	30	32	16	28	22	17	6	M10X1.25	M6	13.5	G1/8	4	7.5	7	47	32.5	12	10
40		213	54	105	35	36	18	29	24	19	7	M12X1.25	M6	16	G1/4	6	9.5	9	53	38	16	13
50		244	69	106	40	44	25	31	32	24	8	M16X1.5	M8	18.5	G1/4	8.5	6.7	9	65	46.5	20	17
63		259	69	121	45	44	25	32	32	24	8	M16X1.5	M8	19	G3/8	6	7.7	9	75	56.5	20	17
80		300	86	128	45	56	30	35	40	30	10	M20X1.5	M10	19	G3/8	10	5	13.5	95	72	25	22
100		320	91	138	55	59	32	36	40	30	10	M20X1.5	M10	18	G1/2	12.5	10	14.5	115	89	25	22
125		398	119	160	60	74	45	46	54	41	13.5	M27X2	M12	23	G1/2	14	12	14	140	110	32	27
160		484	152	180	65	94	58	50	72	55	18	M36X2	M16	25	G3/4	15	12	20	180	140	40	36
200		514	167	180	75	107	60	50	72	55	18	M36X2	M16	25	G3/4	15	12	20	220	175	40	36

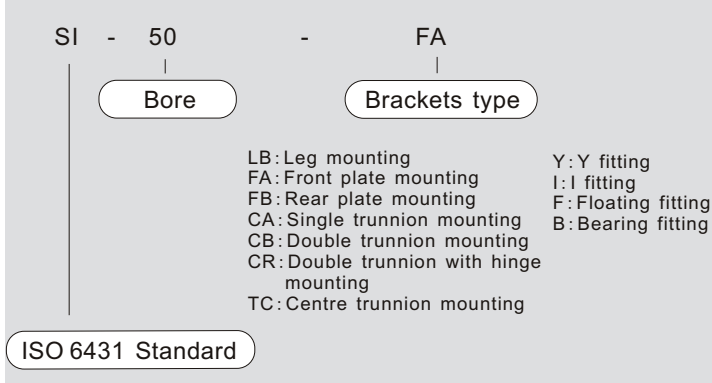
**Double shaft adjustable stroke type**



Bore	Sign	A	B	C	D	E	F	G	H	I	J	K	L	N	O	P	Q	R	S	T	V	W	Z
32		187	48	94	30	32	16	28	22	17	6	M10X1.25	M6	13.5	G1/8	4	7.5	6.5	47	32.5	12	10	21
40		207	54	105	35	36	18	29	24	19	7	M12X1.25	M6	16	G1/4	6	9.5	9	53	38	16	13	21
50		233	69	106	40	44	25	31	32	24	8	M16X1.5	M8	18.5	G1/4	8.5	6.7	7.5	65	46.5	20	17	23
63		250	69	121	45	44	25	32	32	24	8	M16X1.5	M8	19	G3/8	6	7.7	9	75	56.5	20	17	23
80		286	86	128	45	56	30	35	40	30	10	M20X1.5	M10	19	G3/8	10	5	13.5	95	72	25	22	29
100		308	91	138	55	59	32	36	40	30	10	M20X1.5	M10	18	G1/2	12.5	10	14.5	115	89	25	22	29
125		373	119	160	60	74	45	46	54	41	13.5	M27X2	M12	23	G1/2	14	12	14	140	110	32	27	35
160		448	152	180	65	94	58	50	72	55	18	M36X2	M16	25	G3/4	15	12	20	180	140	40	36	40
200		472	167	180	75	107	60	50	72	55	18	M36X2	M16	25	G3/4	15	12	20	220	175	40	36	40

## DNC/SI ISO6431 Standard Cylinder Brackets

### Ordering Code



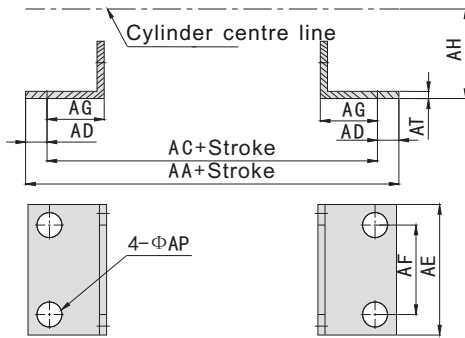
Note: ISO standard accessories, only suitable for DNC, SI etc ISO6431 series standard cylinder.

### Accessories

Brackets	Cylinder	SI	SID	SIJ
Mounting Type	LB	●	●	●
	FA	●	●	●
	FB	●	X	X
	CA	●	X	X
	CB	●	X	X
	CR	●	X	X
	TC	●	●	●
	TC-M1	●	●	●
	TC-M2	●	●	●
Rod end fitting type	I	●	●	●
	Y	●	●	●
	F	●	●	●
	B	●	●	●

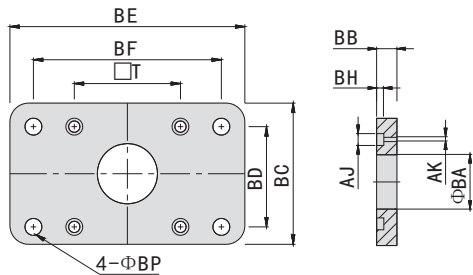
### Main Dimensions

#### LB



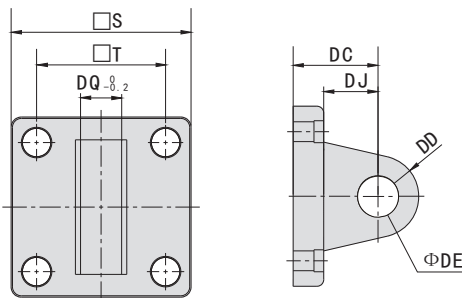
Sign	Bore	32	40	50	63	80	100	125	160	200
AA		158	179	190	209	248	258	290	340	380
AC		142	161	170	185	210	220	250	300	320
AD		8	9	10	12	19	19	20	20	30
AE		48	53	63	73	98	115	140	180	220
AF		32	36	45	50	63	75	90	115	135
AG		24	28	32	32	41	41	45	60	70
AH		32	36	45	50	63	71	90	115	135
AP		7	9	9	9	12	14	16	18	22
AT		4	4	4	4	5	5	8	8	9

#### FA/FB



Sign	Bore	32	40	50	63	80	100	125	160	200
AJ		10.5	10.5	14	14	17	17	19	25	25
AK		7	7	9	9	11	11	13	17	17
BA		30.3	35.3	40.3	45.3	45.3	55.3	60.3	65.3	75.3
BB		10	10	12	12	16	16	20	20	25
BC		50	55	65	75	100	120	140	180	220
BD		32	36	45	50	63	75	90	115	135
BE		80	90	110	125	154	186	224	280	320
BF		64	72	90	100	126	150	180	230	270
BH		6.5	6.5	6.5	8.5	10.5	10.5	8	8	12
BP		7	9	9	9	12	14	16	18	22
T		32.5	38	46.5	56.5	72	89	110	140	175

#### CA



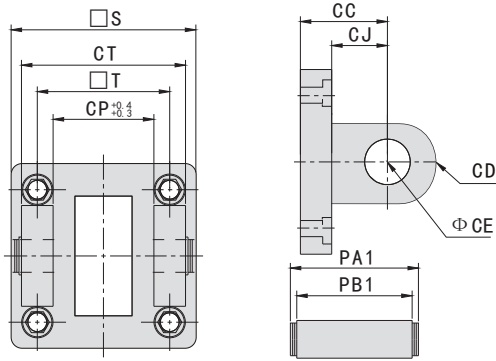
Sign	Bore	32	40	50	63	80	100	125	160	200
S		47	53	65	75	95	115	140	180	220
T		32.5	38	46.5	56.5	72	89	110	140	175
DC		22	25	27	32	36	41	50	55	60
DD		9	12	12	15	15	20	25	30	30
DE		10	12	12	16	16	20	25	30	30
DJ		13	16	17	22	22	27	33	35.5	37
DQ		25.8	27.8	31.7	39.7	49.7	59.7	69.7	89.7	89.7



## DNC/SI ISO6431 Standard Cylinder Brackets

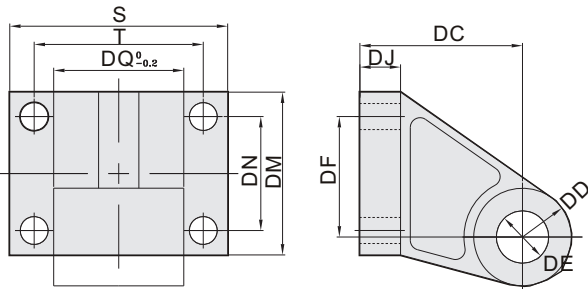
### Main Dimensions

#### CB



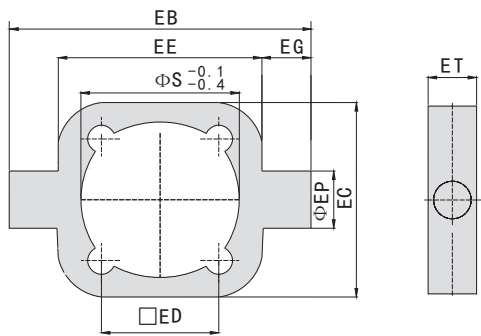
Sign \ Bore	32	40	50	63	80	100	125	160	200
CC	22	25	27	32	36	41	50	55	60
CD	9	12	12	15	15	20	25	30	30
CE	10	12	12	16	16	20	25	30	30
CJ	13	16	17	22	22	27	31	35.5	36
CP	26	28	32	40	50	60	70	90	90
CT	45	52	60	70	90	110	130	170	170
PA1	51	59	67	77	97	119	139	181	181
PB1	45.5	52.5	60.5	70.5	90.5	110.5	130.5	170.5	170.5
S	47	53	65	75	95	115	140	180	220
T	32.5	38	46.5	56.5	72	89	110	140	175

#### CR



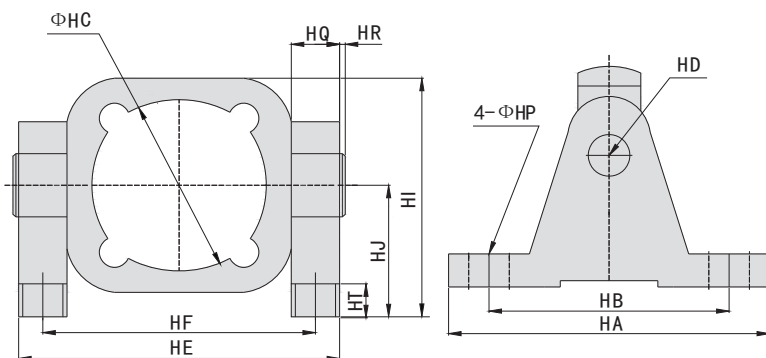
Sign \ Bore	S	T	DC	DD	DE	DF	DJ	DQ	DM	DN
32	51	38	32	10	10	21	8	26	31	18
40	54	41	36	11	12	24	9	28	35	22
50	65	50	57	13	12	33	12	31.5	45	30
63	67	52	50	15	16	37	12.5	40	50	35
80	86	66	63	15	16	41.5	14	50	60	40
100	96	76.5	71.5	18.5	20	55	15	60	70	51

#### TC



Sign \ Bore	32	40	50	63	80	100	125	160	200
EB	100	113	125	140	160	182	210	264	314
EC	50	58	70	80	100	126	154	196	240
ED	32.5	38	46.5	56.5	72	89	110	140	175
EE	50	63	75	90	110	132	160	200	250
EG	25	25	25	25	25	25	25	32	32
EP	12	16	16	20	20	25	30	32	32
ET	20	24	28	28	28	28	36	40	40
S	36	45	55	68	86	106	132	170	40

#### TC-M

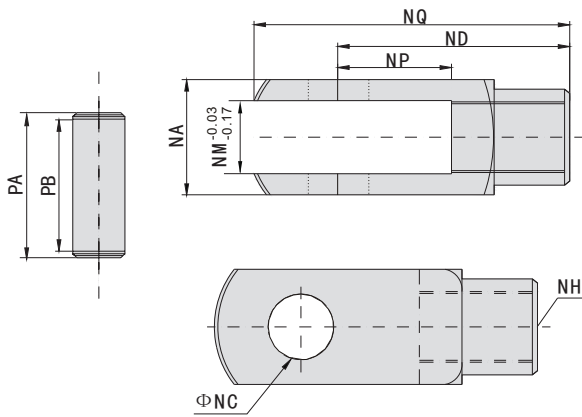


Sign \ Bore	32	40	50	63	80	100
HA	110	110	110	120	120	120
HB	80	80	80	80	80	80
HC	36	45	55	58	86	106
HD	22	22	22	22	22	22
HE	96	109	121	136	156	178
HF	73	86	98	113	133	155
HI	68.5	76.5	82	86	113	130
HJ	43.5	47.5	47	46	63	67
HQ	23	23	23	23	23	23
HR	2	2	2	2	2	2
HT	12	12	12	12	14	14
HP	12	12	12	12	14	14

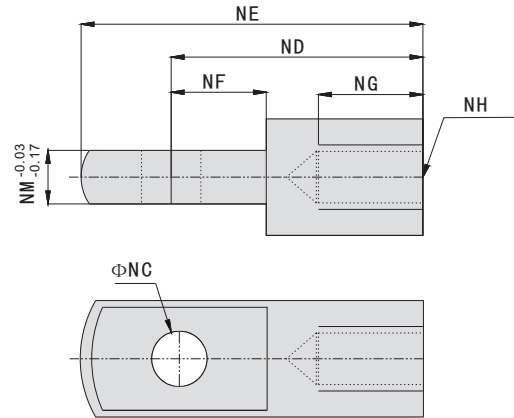
## DNC/SI ISO6431 Standard Cylinder Brackets

### Main Dimensions

#### Y Fitting

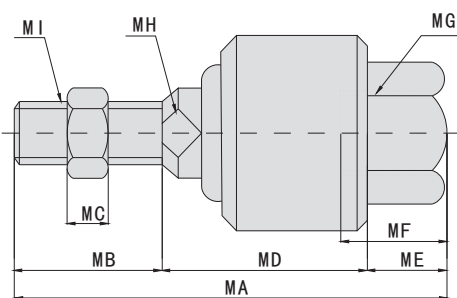


#### I Fitting



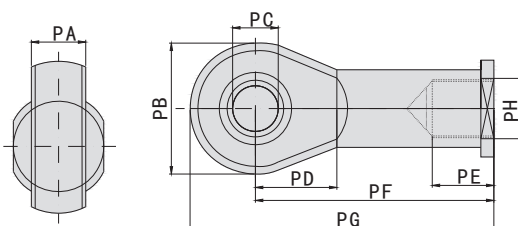
Bore	Sign	NA	NC	ND	NE	NG	NF	NH	NM	NP	NQ	PA	PB
32		19	10	40	52	20	15	M10X1.25	10	20	52	26.2	20
40		25.4	12	48	67	20	24	M12X1.25	12	24	62	32.8	26.5
50		32	16	64	89	23	32	M16X1.5	16	32	83	39.3	33
63		32	16	64	89	23	32	M16X1.5	16	32	83	39.3	33
80		44.4	20	80	112	30	40	M20X1.5	20	40	105	53.3	45
100		44.4	20	80	112	30	40	M20X1.5	20	40	105	53.3	45
125		55	30	110	155	56	50	M27X2.0	30	54	148	64	55.6
160		70	35	144	201	72	50	M36X2.0	35	72	191	80	70.6
200		70	35	144	201	72	55	M36X2.0	35	72	191	80	70.6

#### Floating Fitting



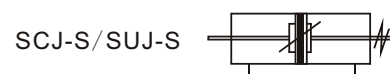
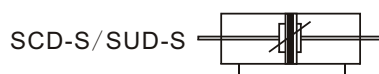
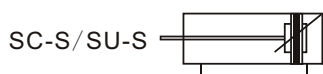
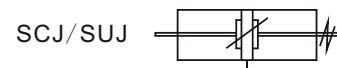
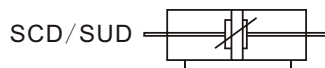
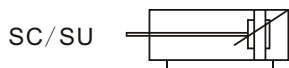
Bore	Sign	MA	MB	MC	MD	ME	MF	MG	MH	MI
32		73	20	6	45	8	26	M10X1.25	12	M10X1.25
40		77	24	7	46	7	26	M12X1.25	12	M12X1.25
50		106	32	8	62	12	34	M16X1.5	19	M16X1.5
63		106	32	8	62	12	34	M16X1.5	19	M16X1.5
80		122	40	10	68	14	42	M20X1.5	19	M20X1.5
100		122	40	10	68	14	42	M20X1.5	19	M20X1.5
125		147	54	13.5	77	16	40	M27X2.0	24	M27X2.0
160		251	72	18	161	18	78	M36X2.0	36	M36X2.0
200		251	72	18	161	18	78	M36X2.0	36	M36X2.0

#### B Fitting



Bore	Sign	PA	PB	PC	PD	PE	PF	PG	PH
32		14	28	10	15	20	43	57	M10X1.25
40		16	32	12	17	22	50	66	M12X1.25
50		21	42	16	22	28	64	85	M16X1.5
63		21	42	16	22	28	64	85	M10X1.5
80		25	50	20	26	33	77	102	M20X1.5
100		25	50	20	26	33	77	102	M20X1.5
125		37	70	30	36	51	110	145	M27X2.0
160		43	80	35	41	56	125	165	M36X2.0
200		43	80	35	41	56	125	165	M36X2.0

## SC/SU Series Standard Cylinder



### Ordering Code SC/SU Series Standard Cylinder

SC

50

X

50

-

S

-

20

-

LB

Series Code

Bore

Magnet

Blank: Without Magnet  
S:With Magnet

Adjustable Stroke

Mounting type

SC:Standard cylinder  
SCD:Double-shaft type  
SCJ:Double-shaft,  
adjustable stroke type  
SU:Standard cylinder  
SUD:Double-shaft type  
SUJ:Double-shaft,  
adjustable stroke type

Stroke

10:10mm  
20:20mm  
30:30mm  
40:40mm  
50:50mm  
75:75mm  
100:100mm

Blank: Standard Cylinder  
LB: Leg mounting  
FA: Front rear plate mounting  
FB: Front rear plate mounting  
CA: Single trunnion mounting  
CB: Double trunnion mounting  
CR: Double trunnion with Hinge,  
mounting  
TC: Centre trunnion mounting

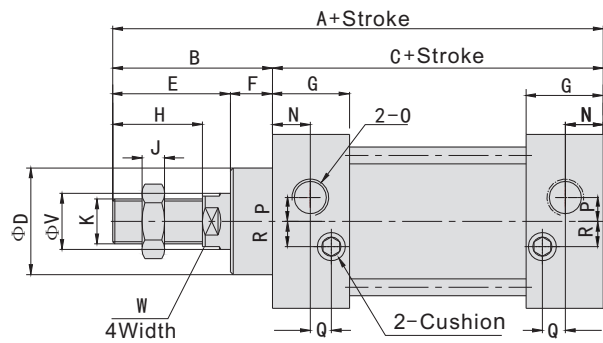
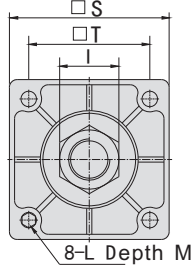
### Specifications

Bore (mm)		32	40	50	63	80	100	125	160	200
Acting type		Double acting								
Working medium		Clean air (40µm Filtration)								
Mounting type	SC\SU Series	Basic type FA FB CA CB CR LB TC TC-M								
	SCD\SUD Series	Basic type FA LB TC TC-M								
	SCJ\SUJ Series	Basic type FA LB TC TC-M								
Working pressure range		0.1~0.9Mpa								
Guaranteed pressure		1.5Mpa								
Working temperature		-5~70°C								
Speed range		50~800mm/s								
Cushion type		Adjustable cushion								
Cushion stroke		20mm			32mm				45mm	
Port size		G1/8	G1/4		G3/8		G1/2		G3/4	

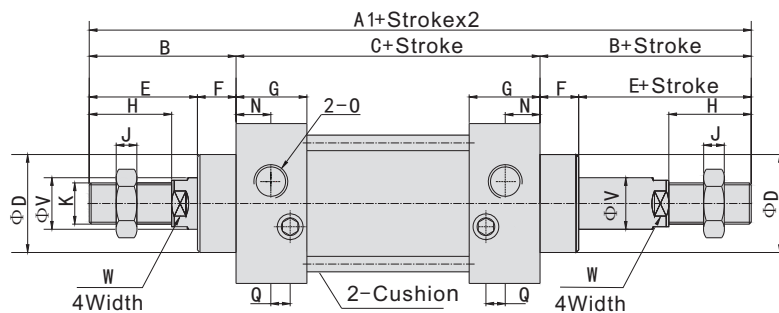
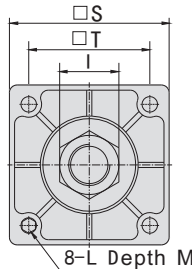
## SC/SU Series Standard Cylinder

### Main Dimensions

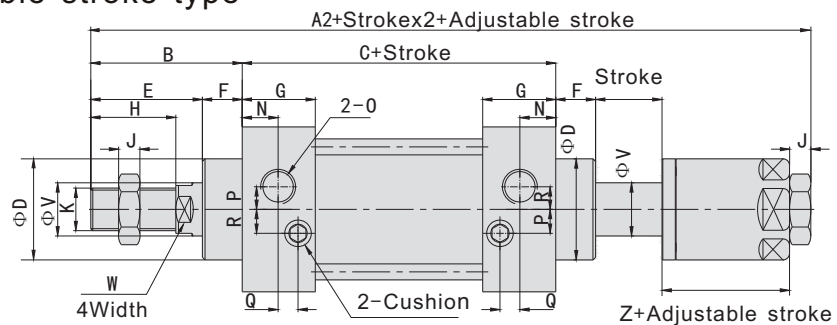
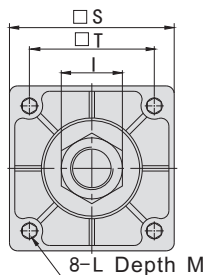
#### SC Basic type



#### SCD Double shaft type



#### SCJ Double shaft adjustable stroke type



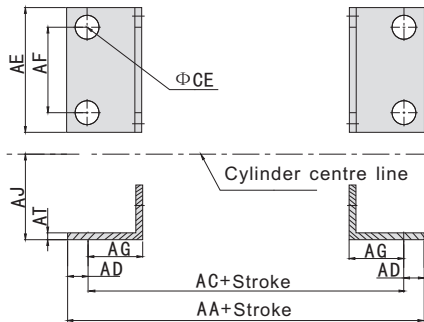
Bore	Sign	A	A1	A2	B	C	D	E	F	G	H	I	J	K
32		140	187	182	47	93	28	32	15	27.5	22	17	6	M10X1.25
40		142	191	185	48	93	32	34	15	27.5	24	17	7	M12X1.25
50		150	207	196	57	93	38	42	15	27.5	32	23	8	M16X1.5
63		153	210	199	57	96	38	42	15	27.5	32	23	8	M16X1.5
80		183	258	243	75	108	47	54	21	33	40	26	10	M20X1.5
100		188	258	243	75	113	47	54	21	33	40	26	10	M20X1.5
125		226	/	/	104	122	55	70	34	33	54	40	10	M27X2
160		291	/	/	123	168	62	91	32	48	72	55	18	M36X2
200		347	/	/	167	180	80	112	55	48	72	55	18	M36X2

Bore	Sign	L	M	N	O	P	Q	R	S	T	V	W	Z
32		M6X1	9.5	13.5	G1/8	3.5	7.5	7	45	33	12	10	21
40		M6X1	9.5	13.5	G1/4	6	8.2	9	50	37	16	14	21
50		M6X1	9.5	13.5	G1/4	8.5	8.2	9	62	47	20	17	23
63		M8X1.25	9.5	13.5	G3/8	7	8.2	8.5	75	56	20	17	23
80		M10X1.5	11.5	16.5	G3/8	10	9.5	14	94	70	25	22	29
100		M10X1.5	11.5	16.5	G1/2	11	9.5	14	112	84	25	22	29
125		M12X1.75	15.5	16.5	G1/2	/	/	/	140	110	32	27	/
160		M16X2	17.5	25	G1/2	/	/	/	180	140	40	36	/
200		M16X2	17.5	25	G3/4	/	/	/	220	175	40	36	/

## SC/SU Series Standard Cylinder Brackets

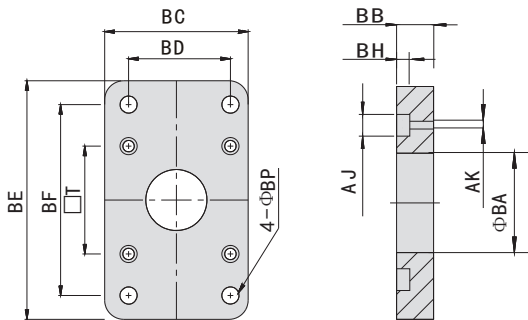
### ■ Main Dimensions

#### LB



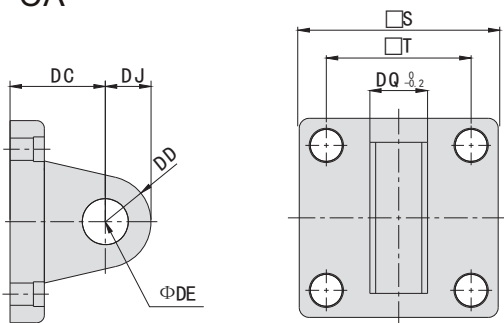
Sign \ Bore	32	40	50	63	80	100	125	160	200
AA	153	169	173	184	200	210	249	328	380
AC	134	140	149	158	168	174	213	288	320
AD	9.5	14.5	12	12	16	18	18	20	20
AE	50	57	68	80	97	112	140	180	220
AF	33	36	47	56	70	84	90	115	135
AG	20.5	23.5	28	31	30	30	45	60	70
AJ	28	30	36.5	41	49	57	90	115	135
AP	9	12	12	12	14	14	16	18	22
AT	3.2	3.2	3.2	3.2	4	4	8	8	10

#### FA/FB



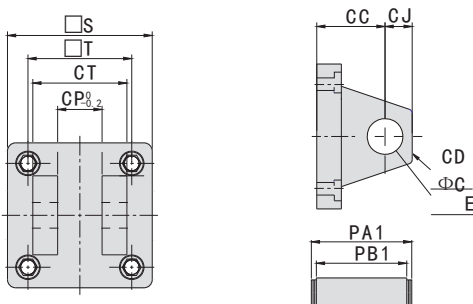
Sign \ Bore	32	40	50	63	80	100	125	160	200
BA	28.3	32.3	38.3	38.3	47.3	47.3	56	63	81
BB	10	10	10	12	16	16	20	25	25
BC	47	52	65	76	95	115	140	180	220
BD	33	36	47	56	70	84	90	115	135
BE	72	84	104	116	143	162	224	280	320
BF	58	70	86	98	119	138	180	230	270
BH	6.5	6.5	6.5	8.5	10.5	10.5	15	20	20
AJ	10.5	10.5	13.5	13.5	16.6	16.6	19	25	25
AK	6.5	6.5	8.5	8.5	10.5	10.5	12.5	16.5	16.5
BP	7	7	9	9	12	12	16	18	22
T	33	37	47	56	70	84	110	140	175

#### CA



Sign \ Bore	32	40	50	63	80	100	125	160	200
S	48	50	62	75	94	112	140	180	220
T	33	37	47	56	70	84	110	140	175
DC	34	34	34	34	48	48	50	55	60
DD	14	14	15	15	20	20	25	30	30
DE	12	14	14	14	20	20	25	30	30
DJ	14	14	15	15	20	20	25	30	30
DQ	16	20	20	20	32	32	70	90	90

#### CB



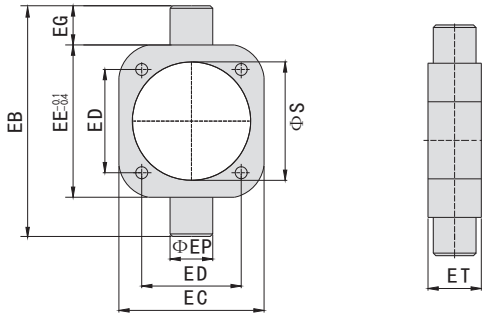
Sign \ Bore	32	40	50	63	80	100	125	160	200
CC	19	19	19	19	32	32	50	55	60
CD	5	5	3	3	8	8	25	30	30
CE	12	14	14	14	20	20	25	30	30
CJ	13	13	15	15	21	21	25	30	30
CP	16.3	20.5	20.3	20.3	32.3	32.3	70	90	90
CT	32	44	52	52	64	64	120	160	160
PA1	41	51.8	60.3	60.3	73.8	73.8	130	170	170
Pb1	33.5	45.8	54	54	65.5	65.5	121.5	161.5	161.5
S	48	50	62	75	94	112	140	180	220
T	33	37	47	56	70	84	110	140	175



## SC/SU Series Standard Cylinder Brackets

### Main Dimensions

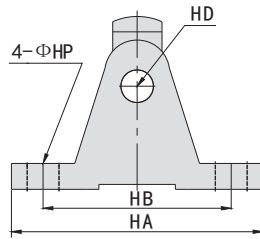
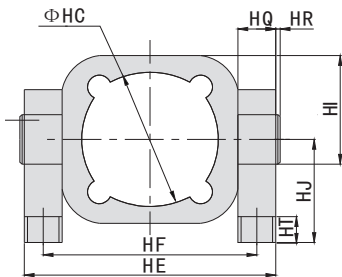
#### TC



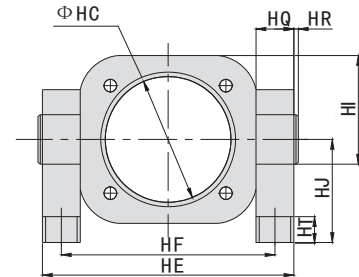
Sign \ Bore	40	50	63	80	100	125	160	200
EB	113	126	138	164	182	210	264	336
EC	63	76	88	114	132	160	200	240
ED	37	47	56	70	84	110	140	175
EE	63	76	88	114	132	160	200	240
EG	30	30	30	30	30	30	32	48
EP	30	30	30	30	30	30	32	38
ET	30	30	30	30	30	30	38	44
S	45.5	55.5	68.5	87.5	107.5	134.5	172.5	212.5

#### TC-M

For SU Series

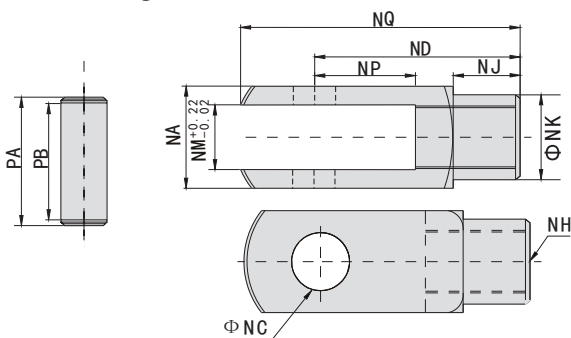


For SC Series

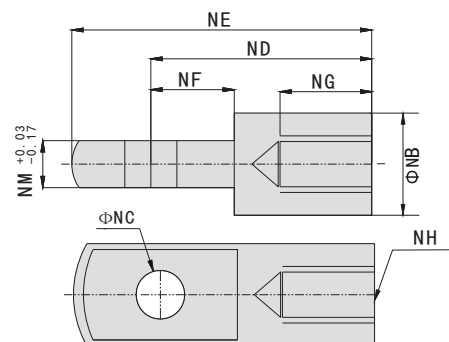


Sign \ Bore	HA	HB	HC	HD	HE	HF	HI	HJ	HQ	HR	HT	HP
40	110	80	45.5	22	109	86	81.5	50	23	2	12	12
50	110	80	55.5	22	122	99	88	50	23	2	12	12
63	110	80	68.5	22	134	111	94	50	23	2	12	12
80	120	85	87.5	22	160	137	127	70	23	2	14	14
100	120	85	107.5	22	178	155	136	70	23	2	14	14

#### Y Fitting



#### I Fitting

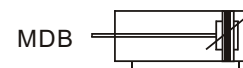
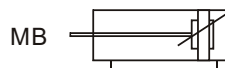


Sign \ Bore	NA	NB	NC	ND	NE	NF	NG	NH	NJ	NK	NM	NP	NQ	PA	PB
32	19	20	10	40	52	15	20	M10X1.25	12	18	10	20	52	25	19.5
40	25.4	24	12	48	67	24	20	M12X1.25	20	23	12	24	62	32.8	26.5
50	32	32	16	64	89	32	23	M16X1.5	22	30	16	32	83	39.3	33
63	32	32	16	64	89	32	23	M16X1.5	22	30	16	32	83	39.3	33
80	44.4	40	20	80	112	40	30	M20X1.5	30	39	20	40	105	53.3	45
100	44.4	40	20	80	112	40	30	M20X1.5	30	39	20	40	105	53.3	45
125	55	45	25	110	155	40	56	M27X2	30	54	48	64	148	64	55
160	80	54	30	120	201	35	50	M36X2	40	54	40	35	150	91	81
200	80	54	30	120	201	35	50	M36X2	40	54	40	35	150	91	81

## MB Series Standard Cylinder

### Ordering Code MB Series Standard Cylinder

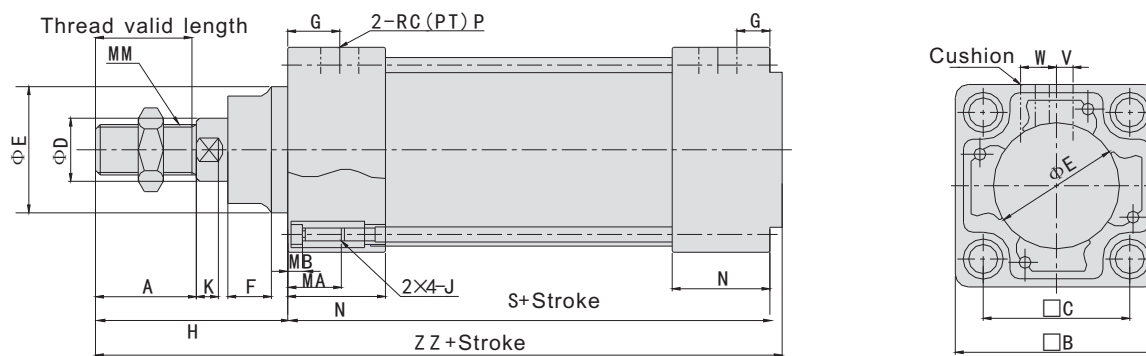
**M**  **B**       **32** **X** **50**  
 Magnet      Mounting type      Bore      Stroke  
 Blank: Without Magnet      B: Standard cylinder  
 D: With Magnet  
 32:  $\Phi$ 32mm  
 40:  $\Phi$ 40mm  
 50:  $\Phi$ 50mm  
 63:  $\Phi$ 63mm  
 80:  $\Phi$ 80mm  
 100:  $\Phi$ 100mm  
 125:  $\Phi$ 125mm



### Specifications

Bore (mm)	32	40	50	63	80	100	125
Working medium	Clean air (40 $\mu$ m Filtration)						
Acting type	Double acting						
Max pressure	1.0Mpa						
Min pressure	0.05Mpa						
Speed range (mm/s)	50~1000						50~700
Cushion	Cushion Both Side						
Oil	No Need						
Port size	G1/8	G1/4		G3/8		G1/2	

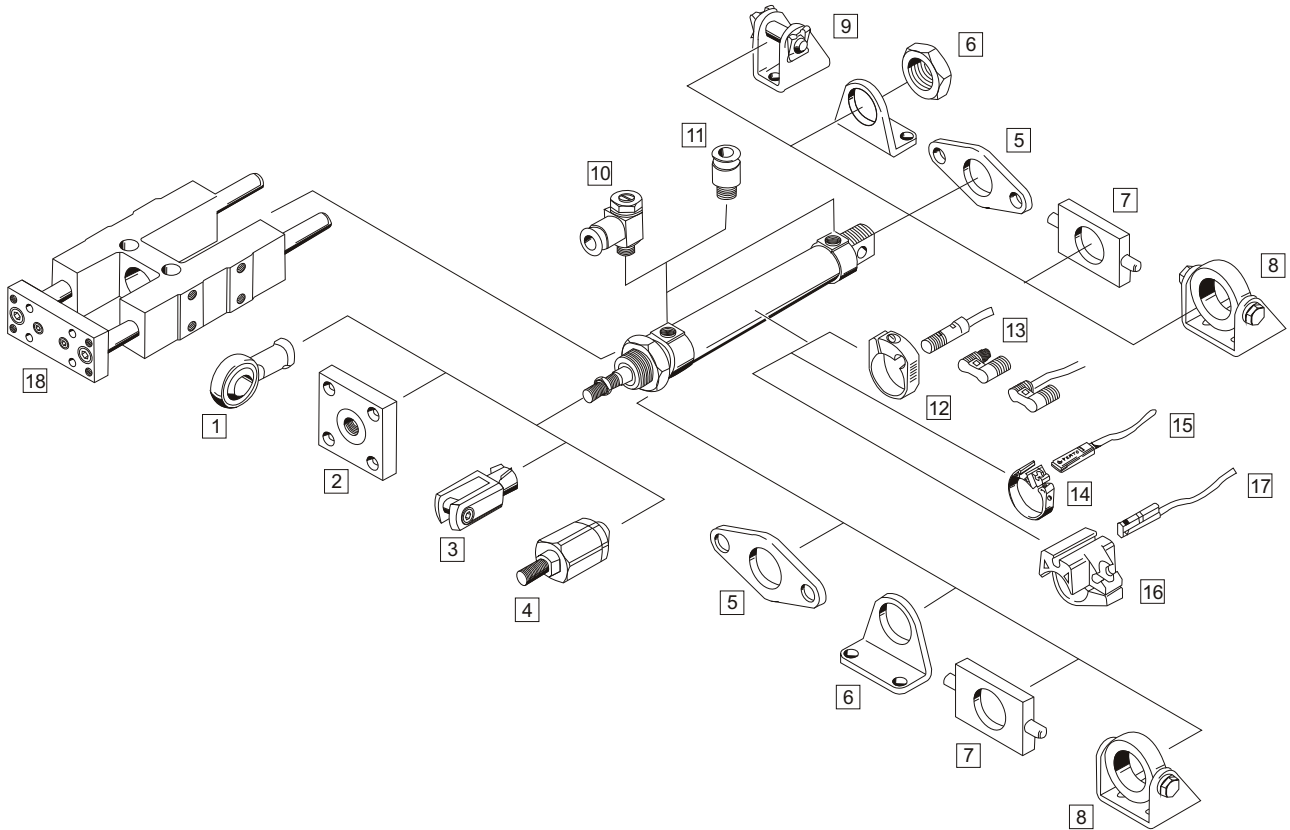
### Main Dimensions



Bore	Stroke range	Thread length	A	$\square$ B	$\square$ C	$\Phi$ D	$\Phi$ E	F	G	MA	MB	J	K	MM	N	P	S	V	W	H	ZZ
32	~500	19.5	22	46	32.5	12	30	13	13	16	4	M6X1.0	6	M10X1.25	27	1/8	84	4	6.5	47	135
40	~500	27	30	52	38	16	35	13	14	16	4	M6X1.0	6	M14X1.5	27	1/4	84	4	9	51	139
50	~600	32	35	65	46.5	20	40	14	15.5	16	5	M8X1.25	7	M18X1.5	31.5	1/4	94	5	10.5	58	156
63	~600	32	35	75	56.5	20	45	14	16.5	16	5	M8X1.25	7	M18X1.5	31.5	3/8	94	9	12	58	156
80	~800	37	40	95	72	25	45	20	19	16	5	M10X1.5	10	M22X1.5	38	3/8	114	11.5	14	72	190
100	~800	37	40	114	89	30	55	20	19	16	5	M10X1.5	10	M26X1.5	38	1/2	114	17	15	72	190
125	~1000	50	54	136	110	32	60	27	19	20	6	M12X1.75	13	M27X2.0	38	1/2	120	17	15	97	223

## Technical Data 2

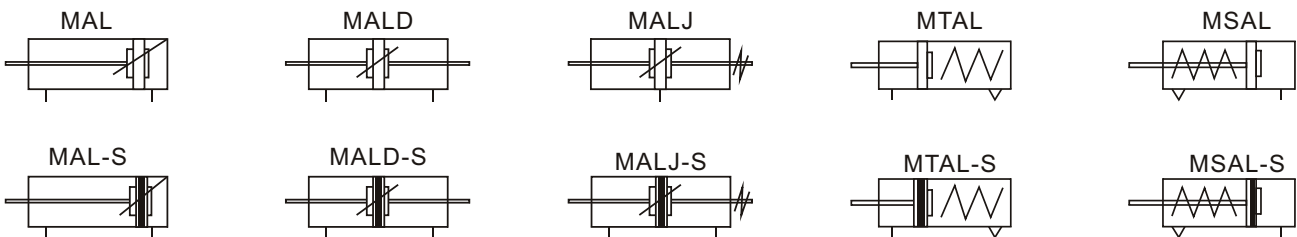
### ■ Cylinder Peripheral Component



### ■ Air cylinder theory force table

Bore (mm)	16		20		25		32		40		50		63							
OD of rod (mm)	6		8		10		12		16		16		16							
Acting type	Single Acting Spring Extend	Double Acting		Single Acting Spring Extend	Double Acting		Single Acting Spring Extend	Double Acting		Single Acting Spring Extend	Double Acting		Double Acting							
		Push force	Pull force		Push force	Pull force		Push force	Pull force		Push force	Pull force	Push force	Pull force						
Actual working area (mm <sup>2</sup> )	201	201	181	314	314	264	490	490	412	804	804	690	1256	1256	1055	1963	1762	3116	2915	
Working pressure (Mpa)	0.1	-	20.1	18.1	-	31.4	26.4	-	49.0	41.2	-	80.4	69.0	-	125.6	105.5	196.3	176.2	311.6	291.5
	0.2	-	40.2	36.2	15.7	62.8	52.8	24.5	98.0	82.4	40.2	160.8	138.0	62.8	251.2	211.0	392.6	352.4	487.8	603.1
	0.3	20.1	60.3	54.3	47.1	94.2	79.2	73.5	147.0	123.6	120.6	241.2	207.0	188.4	376.8	316.5	588.9	528.6	799.4	894.6
	0.4	40.2	80.4	72.4	78.5	125.6	105.6	122.5	196.0	164.8	201.0	321.6	276.0	314.0	502.4	422.0	785.2	704.8	1111	1186
	0.5	60.3	100.5	90.5	109.9	157.0	132.0	171.5	245.0	206.0	281.4	402.0	345.0	439.6	628.0	527.5	981.5	881.0	1422	1477
	0.6	80.4	120.6	108.6	141.3	188.4	158.4	220.5	294.0	247.2	361.8	482.4	414.0	565.2	753.6	633.0	1177	1057	1734	1769
	0.7	100.4	140.7	126.7	172.7	219.8	184.8	269.5	343.0	288.4	442.2	562.8	483.0	690.8	879.2	738.5	1374	1233	2045	2060
	0.8	-	-	-	204.1	251.2	211.2	318.5	392.0	329.6	522.6	643.2	552.0	816.4	1004	844.0	1570	1409	2357	2352
	0.9	-	-	-	235.5	282.6	237.6	367.5	441.0	370.8	603.0	723.6	621.0	942.0	1130	949.5	1766	1585	2669	2643

## MAL Series Mini Cylinder



### Ordering Code MAL Series Mini Cylinder

**M A L - C M 20 X 50 - 20 - S - L B**

- Series Code**
  - MAL: Double Acting
  - MSAL: Spring Extend
  - MSTL: Spring Return
  - MALD: Double Shaft Acting
  - MALJ: Adjustable cushion type
- Rear Cover Type**
  - CA: Swivelling tail
  - CM: Round tail
  - U: Flat tail
- Bore**
  - 20: 20mm
- Stroke**
  - 50: 50mm
- Adjustable Stroke**
  - 10: 10mm
  - 20: 20mm
  - 30: 30mm
  - 40: 40mm
  - 50: 50mm
  - 75: 75mm
  - 100: 100mm
- Magnet**
  - Blank: Without Magnet
  - S: With Magnet
- Mounting type**
  - Blank: Standard Cylinder
  - LB: Leg mounting
  - FA: Front rear plate mounting
  - SDB: Trunnion bracket mounting

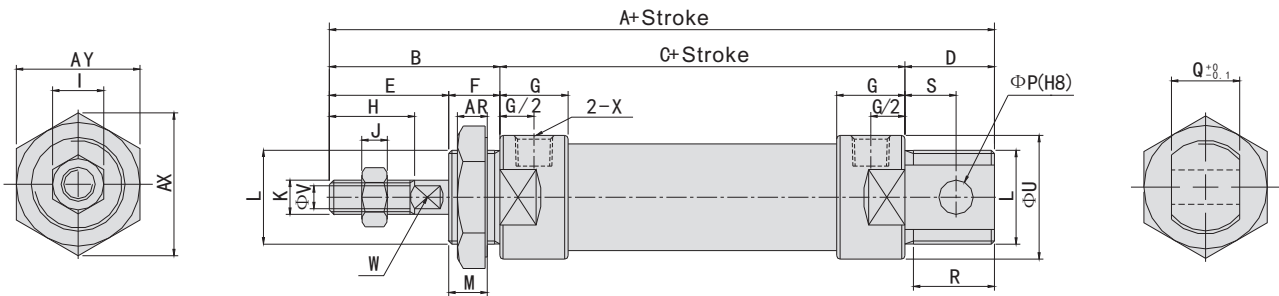
### Specifications

Bore (mm)	16	20	25	32	40
Acting type	MAL, MALD, MALJ Series: Double acting; MSAL, MATL Series: Single acting				
Working medium	Clean air (40µm Filtration)				
Mounting type	MAL, MSAL, MATL Series: Basic type LB FA SDB; MALD, MALJ Series: Basic type LB FA				
Working pressure range	MAL, MALD, MALJ Series: 0.1~0.9Mpa; MSAL, MATL Series: 0.2~0.9Mpa				
Guaranteed pressure	1.5Mpa				
Working temperature	-5~70°C				
Speed range	MAL Series: 30~800mm/s; Other Series: 50~800mm/s				
Port size	M5X0.8	G1/8		G1/4	

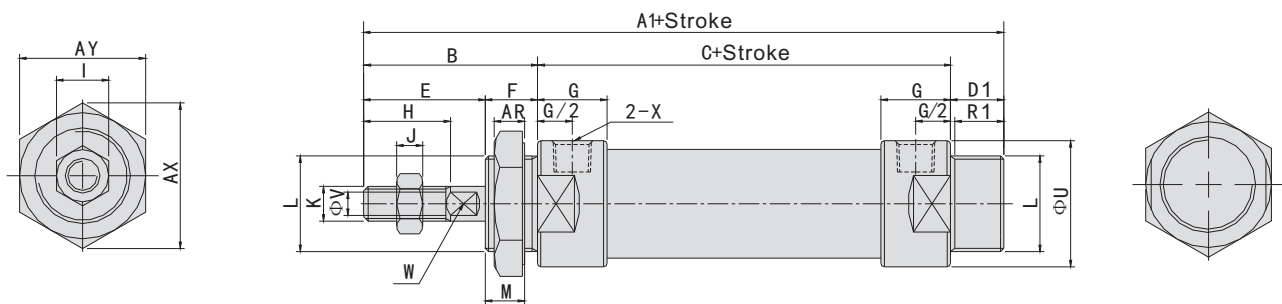
## MAL Series Mini Cylinder

### Main Dimensions

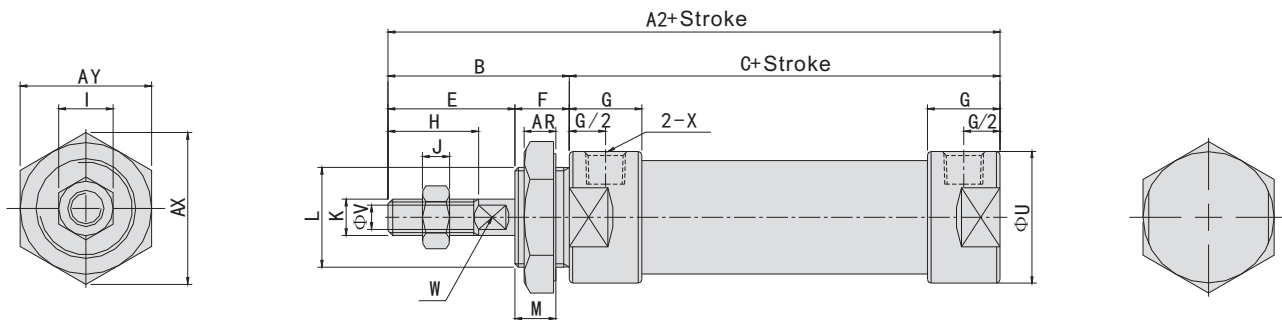
#### MAL-CA Swivelling Tail



#### MAL-CM Round Tail



#### MAL-U Flat Tail



Bore	Sign	A	A1	A2	B	C	D	D1	E	F	G	H	I	J	K
16		104	104	90	38	52	15	15	24	14	11	16	10	5	M6x1
20		131	122	110	40	70	21	12	28	12	16	20	12	6	M8x1.25
25		135	128	114	44	70	21	14	30	14	16	22	17	6	M10x1.25
32		141	128	114	44	70	27	14	30	14	16	22	17	6	M10x1.25
40		165	152	138	46	92	27	14	32	14	22	24	17	7	M12x1.25

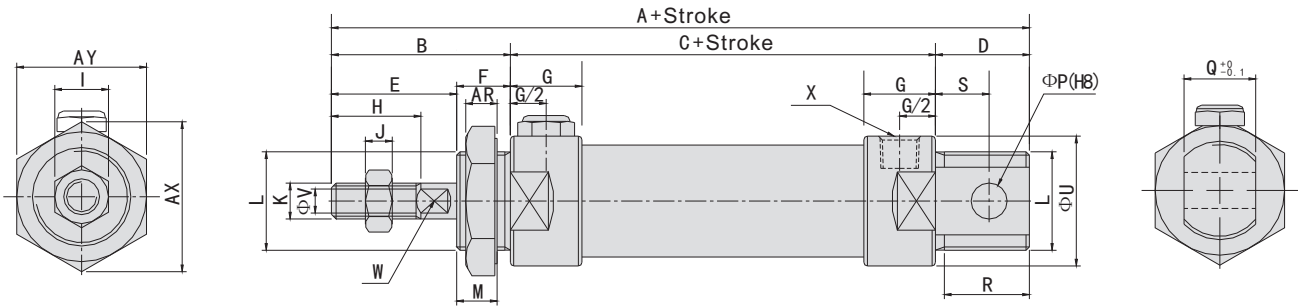
Bore	Sign	L	M	P	Q	R	R1	S	U	V	W	X	AR	AX	AY
16		M16x1.5	8	6	12	13	/	6	20	6	/	M5	7	24	27.5
20		M22x1.5	10	8	16	19	10	12	29	8	6	G1/8	7	33	29
25		M22x1.5	12	8	16	19	12	12	34	10	8	G1/8	7	33	29
32		M24x2.0	12	10	16	25	12	15	39.5	12	10	G1/8	8	37	32
40		M30x2.0	12	12	20	25	12	15	49.5	16	14	G1/4	9	47	41



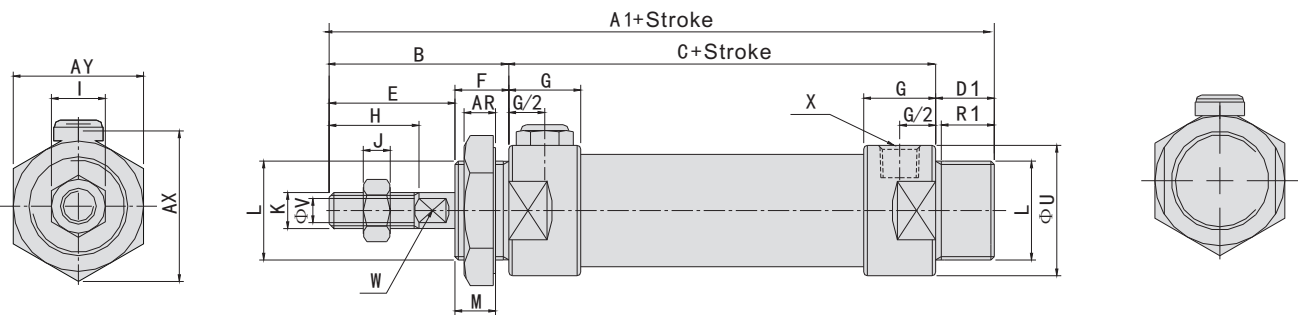
## MAL Series Mini Cylinder

### Main Dimensions

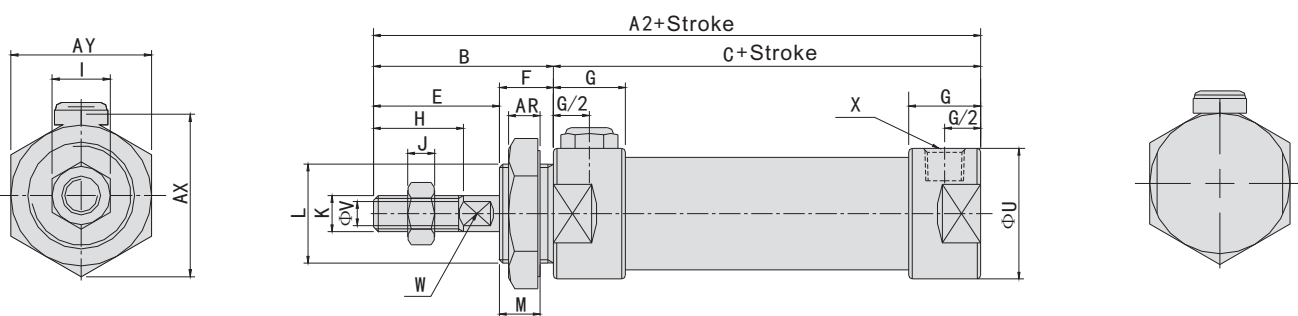
#### MSAL-CA Single Acting Swivelling Tail



#### MSAL-CM Single Acting Round Tail



#### MSAL-U Single Acting Flat Tail



Sign	A		A1		A2		B	C		D	D1	E	F	G	H	I	J
	0~50	51~100	0~50	51~100	0~50	51~100		0~50	51~100								
20	131	156	122	147	110	135	40	70	95	21	12	28	12	16	20	12	6
25	135	160	128	153	114	139	44	70	95	21	14	30	14	16	22	17	6
32	141	166	128	153	114	139	44	70	95	27	14	30	14	16	22	17	6
40	165	190	152	177	138	163	46	92	117	27	14	32	14	22	24	17	7

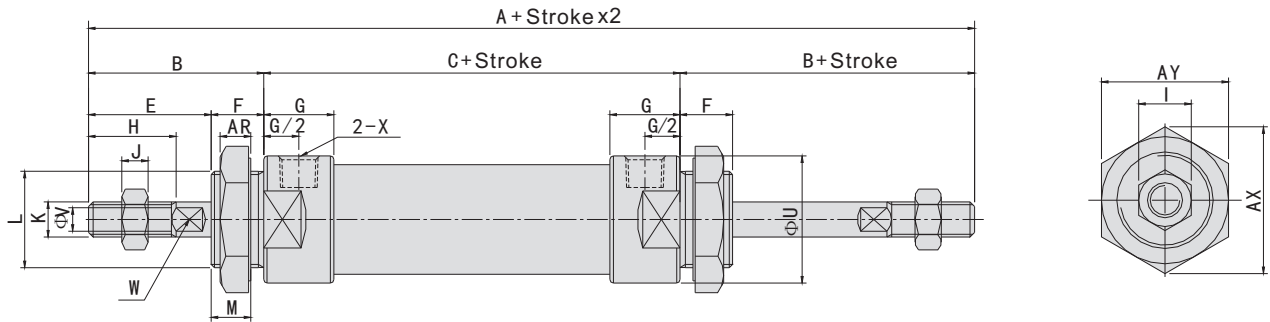
  

Bore	Sign	K	L	M	P	Q	R	R1	S	U	V	W	X	AR	AX	AY
20		M8X1.25	M22X1.5	10	8	16	19	10	12	29	8	6	G1/8	7	33	29
25		M10X1.25	M22X1.5	12	8	16	19	12	12	34	10	8	G1/8	7	33	29
32		M10X1.25	M24X2.0	12	10	16	25	12	15	39.5	12	10	G1/8	8	37	32
40		M12X1.25	M30X2.0	12	12	20	25	12	15	49.5	16	14	G1/4	9	47	41

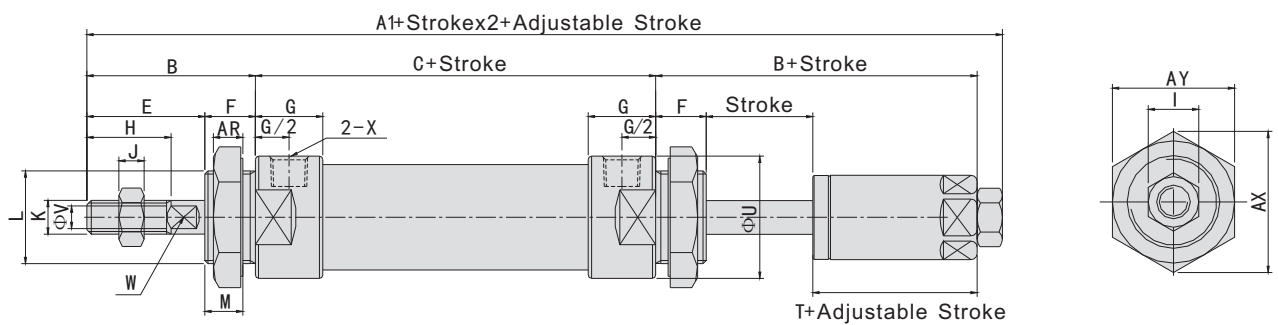
## MAL Series Mini Cylinder

### Main Dimensions

#### MALD Double shaft type



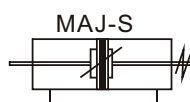
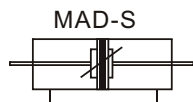
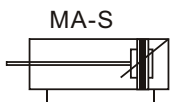
#### MALJ Double shaft adjustable stroke type



Bore	Sign	A	A1	B	C	E	F	G	H	I	J	K
20		131	122	40	70	28	12	16	20	12	6	M8X1.25
25		135	128	44	70	30	14	16	22	17	6	M10X1.25
32		141	128	44	70	30	14	16	22	17	6	M10X1.25
40		165	152	46	92	32	14	22	24	17	7	M12X1.25

Bore	Sign	L	M	U	V	W	X	AR	AX	AY	T
20		M22X1.5	10	29	8	6	G1/8	7	33	29	19
25		M22X1.5	12	34	10	8	G1/8	7	33	29	21
32		M24X2.0	12	39.5	12	10	G1/8	8	37	32	21
40		M30X2.0	12	49.5	16	14	G1/4	9	47	41	21

## MA Series Mini Cylinder



### Ordering Code MA Series Mini Cylinder

MA - CM 20 X 50 - 20 - LB

- Series Code**
  - MA: Double Acting
  - MSA: Spring Extend
  - MST: Spring Return
  - MAD: Double Shaft Acting
  - MAJ: Adjustable cushion type
- Rear Cover Type**
  - CA: Swivelling tail
  - CM: Round tail
  - U: Flat tail
- Bore**
  - 20: 20mm
  - 25: 25mm
  - 32: 32mm
  - 40: 40mm
  - 50: 50mm
  - 75: 75mm
  - 100: 100mm
- Stroke**
  - 10: 10mm
  - 20: 20mm
  - 30: 30mm
  - 40: 40mm
  - 50: 50mm
  - 75: 75mm
  - 100: 100mm
- Adjustable Stroke**
  - 10: 10mm
  - 20: 20mm
  - 30: 30mm
  - 40: 40mm
  - 50: 50mm
  - 75: 75mm
  - 100: 100mm
- Mounting type**
  - Blank: Standard Cylinder
  - LB: Leg mounting
  - FA: Front rear plate mounting
  - SDB: Trunnion bracket mounting

### Specifications

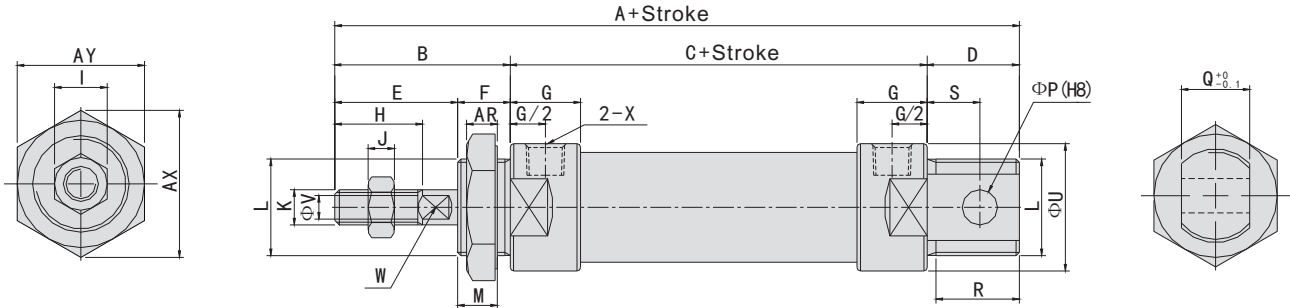
Bore (mm)		16	20	25	32	40	50	63	
Mounting type	MA, MAC, MAD, MAJ	Double acting							
	MSA, MTA	Single Acting						-	
Working medium		Clean air (40µm Filtration)							
Mounting type	MA, MAC, MSA, MTA Series: Basic type	LB FA SDB					Basic type		
	MAD, MAJ Series: Basic type	LB FA							
Working pressure range		MA, MAC, MAD, MAJ: 0.1~0.9Mpa; MSA, MTA: 0.2~0.9Mpa							
Guaranteed pressure		1.5Mpa							
Working temperature		5~70°C							
Speed range		MA, MAC: 50~800mm/s; MSA, MTA, MAD, MAJ: 30~800mm/s					MA, MAC, MSA, MTA: 30~500mm/s MAD, MAJ: 30~800mm/s		
Cushion type	Standard	Fixed cushion							
	Cushion	-	Adjustable cushion						
Port size		M5X0.8	G1/8				G1/4		

## MA Series Mini Cylinder

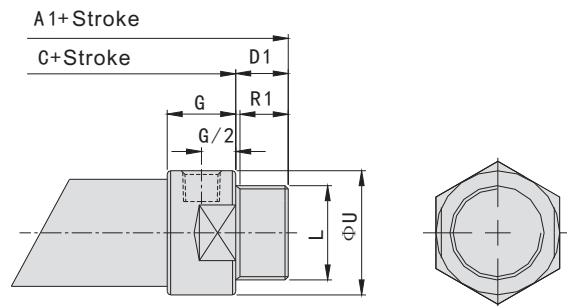
### Main Dimensions

Φ16~Φ40

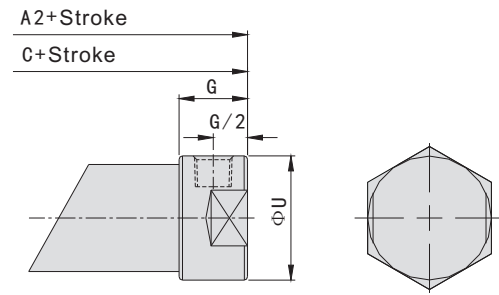
MA-CA Swivelling tail



MA-CM Round tail



MA-U Flat tail

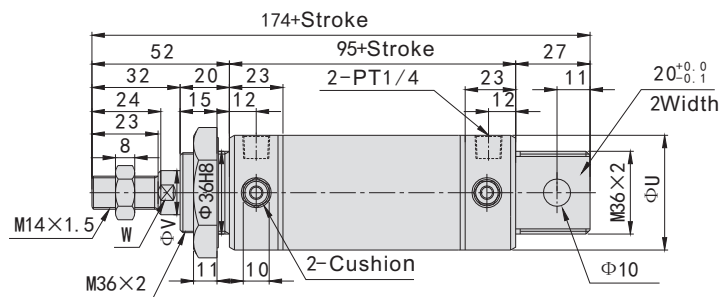
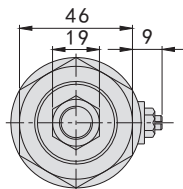


Bore	Sign	A	A1	A2	B	C	D	D1	E	F	G	H	I	J	K
16		114	114	98	38	60	16	15	22	16	10	16	10	5	M6X1
20		137	128	116	40	76	21	12	28	12	16	20	12	6	M8X1.25
25		141	134	120	44	76	21	14	30	14	16	22	17	6	M10X1.25
32		147	134	120	44	76	27	14	30	14	16	22	17	6	M10X1.25
40		149	136	122	46	76	27	14	32	14	16.7	24	17	7	M12X1.25

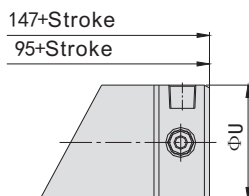
Bore	Sign	L	M	P	Q	R	R1	S	U	V	W	X	AR	AX	AY
16		M16X1.5	14	6	12	14	14	9	21	6	5	M5	6	25	22
20		M22X1.5	10	8	16	19	12	12	27	8	6	G1/8	7	33	29
25		M24X1.5	12	8	16	19	14	12	30	10	8	G1/8	7	33	29
32		M24X2.0	12	10	16	25	14	15	35	12	10	G1/8	8	37	32
40		M30X2.0	12	12	20	25	14	15	41.6	16	14	G1/8	9	47	41

Φ50 Φ63

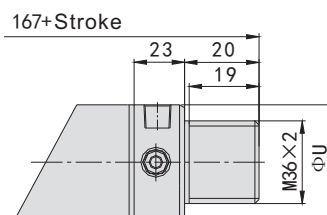
Swivelling tail



Flat tail



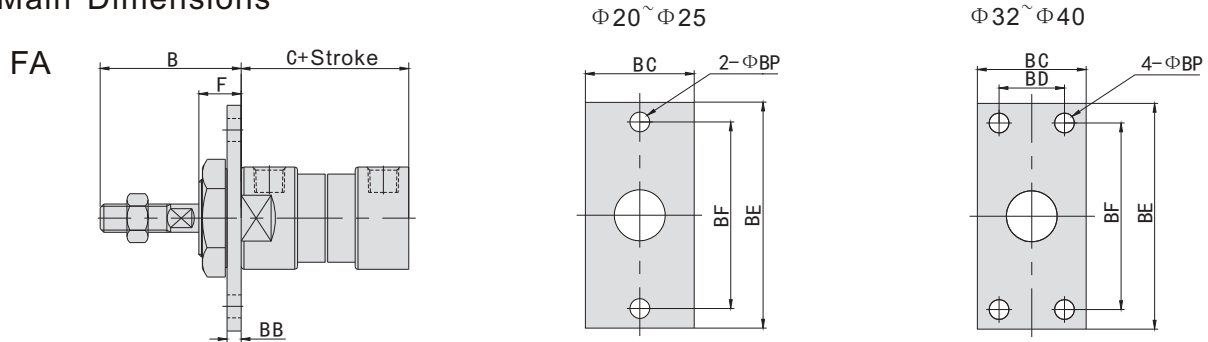
Round tail



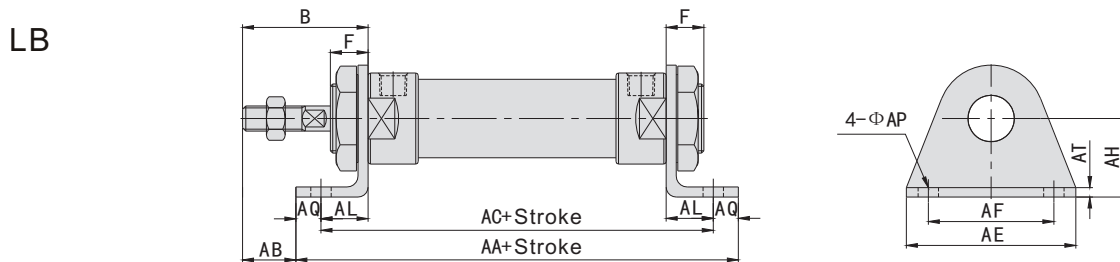
Bore	Sign	U	V
50		53	16
63		67	16

## MAL/MA Series Mini Cylinder Brackets

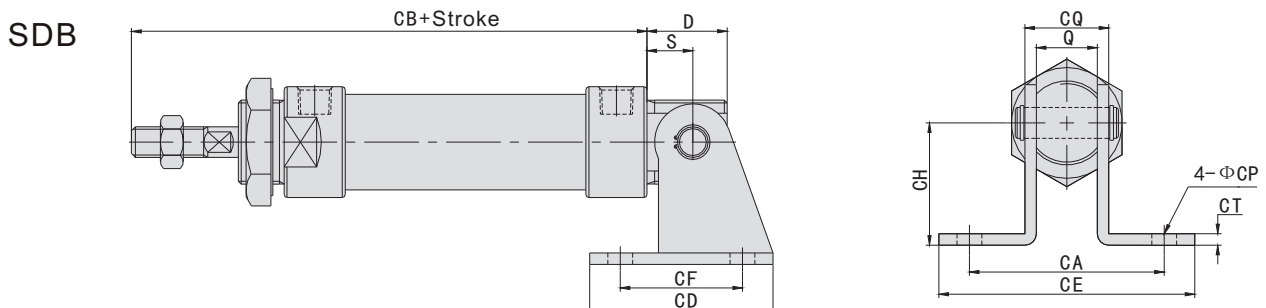
### Main Dimensions



Sign Bore/Stroke	B	C (MA Series)	C (MSA Series)		C (MAL Series)	C (MSAL Series)		BB	BC	BD	BE	BF	BP	F
			0~50	51~100		0~50	51~100							
16	38	60	60	85	-	-	-	3	26	-	52	40	5.5	16
20	40	76	76	101	70	70	95	4	38	-	64	50	6.5	12
25	44	76	76	101	70	70	95	4	38	-	64	50	6.5	14
32	44	76	76	101	70	70	95	4	47	33	72	58	6.5	14
40	46	76	76	101	92	92	117	4	50	36	84	70	6.5	14



Sign Bore/Stroke	B	F	AA (MA Series)	AA (MSA Series)		AB	AC (MA series)	AC (MSA Series)		AA (MAL Series)	AA (MSAL Series)		AC (MAL系列)	AC (MSAL Series)		AE	AF	AL	AQ	AP	AT	AH
				0~50	51~100			0~50	51~100		0~50	51~100		0~50	51~100							
16	38	16	98	98	123	25	86	86	111	-	-	-	-	-	-	44	32	13	6	5.5	3	20
20	40	12	122	122	147	25	106	106	131	116	116	141	100	100	125	54	40	15	8	6.5	3	25
25	44	14	122	122	147	29	106	106	131	116	116	141	100	100	125	54	40	15	8	6.5	3	25
32	44	14	142	142	167	19	126	126	151	136	136	161	120	120	145	59	45	25	8	6.5	4	32
40	46	14	142	142	167	21	126	126	151	158	158	183	142	142	167	64	50	25	8	6.5	4.5	36



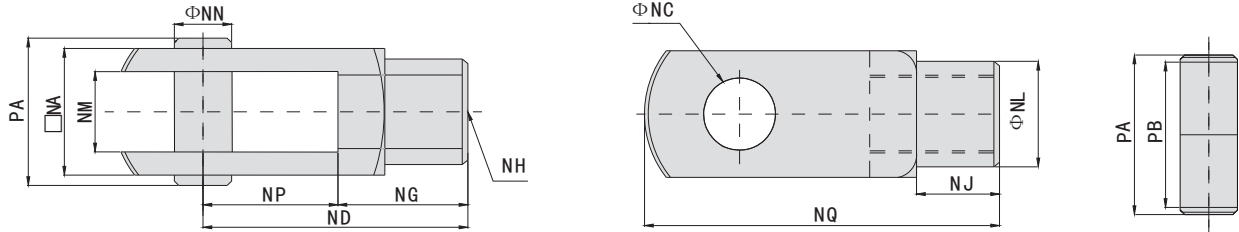
Sign Bore/Stroke	D	S	Q	CA	CB (MA Series)	CB (MSA Series)		CB (MAL Series)	CB (MSAL Series)		CD	CE	CF	CH	CT	CP	CQ
						0~50	51~100		0~50	51~100							
16	16	9	12	-	107	107	132	-	-	-	23	-	12	20	2.3	5.5	16.5
20	21	12	16	51	128	128	153	122	122	147	48	67	32	32	3	6.5	22
25	21	12	16	51	132	132	157	126	126	151	48	67	32	32	3	6.5	22
32	27	15	16	51	135	135	160	129	129	154	52	67	36	36	4	6.5	24
40	27	15	20	55	137	137	162	153	153	178	56	71	40	40	4	6.5	28



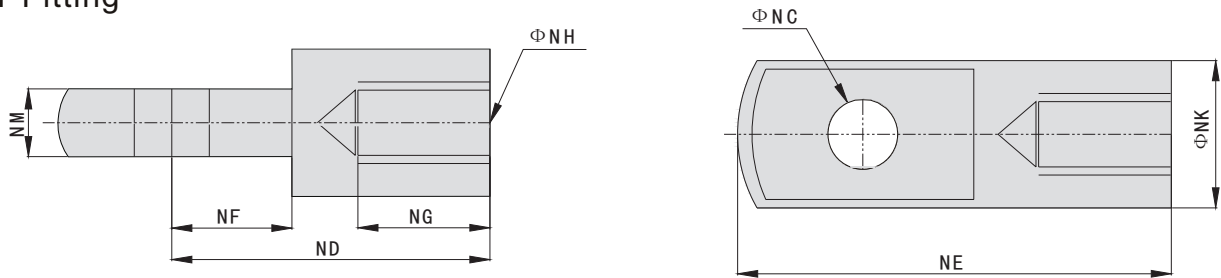
## MAL/MA Series Mini Cylinder Brackets

### Main Dimensions

#### Y Fitting

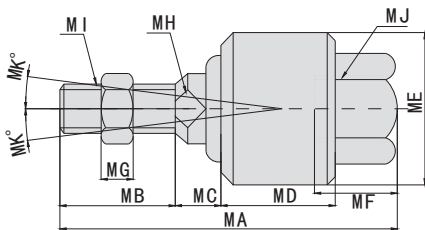


#### I Fitting



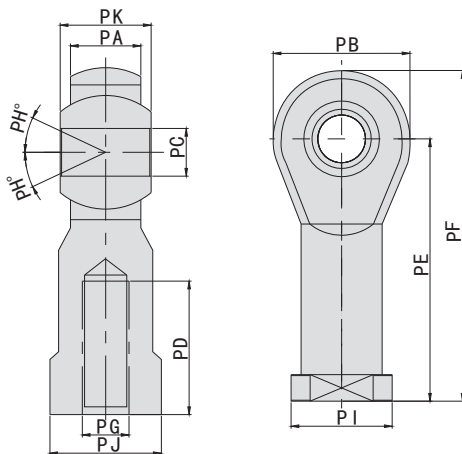
Bore	Sign	NA	NC	ND	NE	NF	NG	NH	NJ	NK	NL	NM	NN	NP	NQ	PA	PB
16		12	3.5	12	28	8.5	12.5	M6X1	7	12	12	6	5	8.5	28	17	12.5
20		16	8	30	40	11	15	M8X1.25	10	16	14	8	8	15	40	21	16.5
25		19	10	40	52	15	20	M10X1.25	12	20	18	10	10	20	52	25	19.5
32		19	10	40	52	15	20	M10X1.25	12	20	18	10	10	20	52	25	19.5
40		25.4	10	48	67	15	25	M12X1.25	20	24	23	14	10	20	57	31	26

#### Floating Fitting



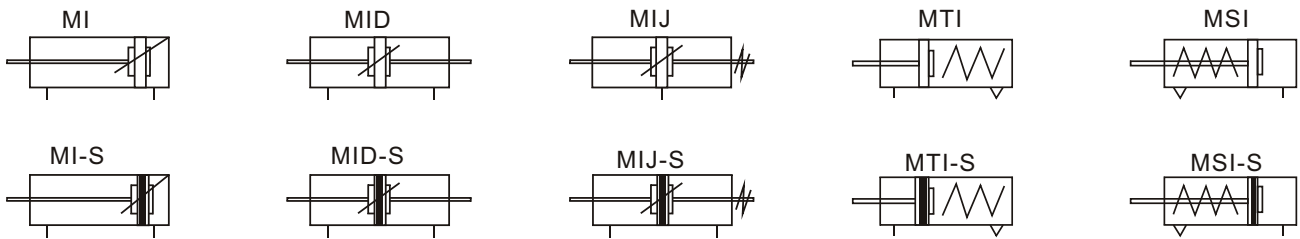
Bore	Sign	MA	MB	MC	MD	ME	MF	MG	MH	MI	MJ	MK
20		51	20	6	17	24	11.5	6	8	M8X1.25	M8X1.25	13
25		58	22	7	21	26	11.5	7	10	M10X1.25	M10X1.25	12
32		58	22	7	21	26	11.5	7	10	M10X1.25	M10X1.25	12
40		58	22	8	21	28	11.5	8	12	M12X1.25	M12X1.25	12
50		70	22.5	8.5	28	34.5	13	8	15	M14X1.5	M14X1.5	13
63		70	22.5	8.5	28	34.5	13	8	15	M14X1.5	M14X1.5	13

#### Bearing Fitting



Bore	Sign	PA	PB	PC	PD	PE	PF	PG	PH	PI	PJ	PK
20		9	24	8	16	36	48	M8X1.25	13	16	14	12
25		11	26	10	20	43	56	M10X1.25	13	19	17	14
32		11	26	10	20	43	56	M10X1.25	13	19	17	14
40		12	32	12	24	50	66	M12X1.25	13	22	19	16
50		15	40	16	28	64	84	M16X1.5	15	27	22	21
63		15	40	16	28	64	84	M16X1.5	15	27	22	21

## MI Series Mini Cylinder



### Ordering Code MI Series Mini Cylinder

MI
16
x
40
-
S
-
CA

Series Code

MI: Basic Type  
MID: Double Shaft Type  
MIJ: Double Shaft Adjustable Type  
MSI: Spring Extend  
MTI: Spring Return  
MIC: Double Adjustable Cushion

Bore

Stroke

Magnet

Blank: Without Magnet  
S: With Magnet

Rear Cover Type

CA: Swivelling tail  
CM: Round tail  
U: Flat tail

Mark: According to ISO6432 CETOPRP52P Standard

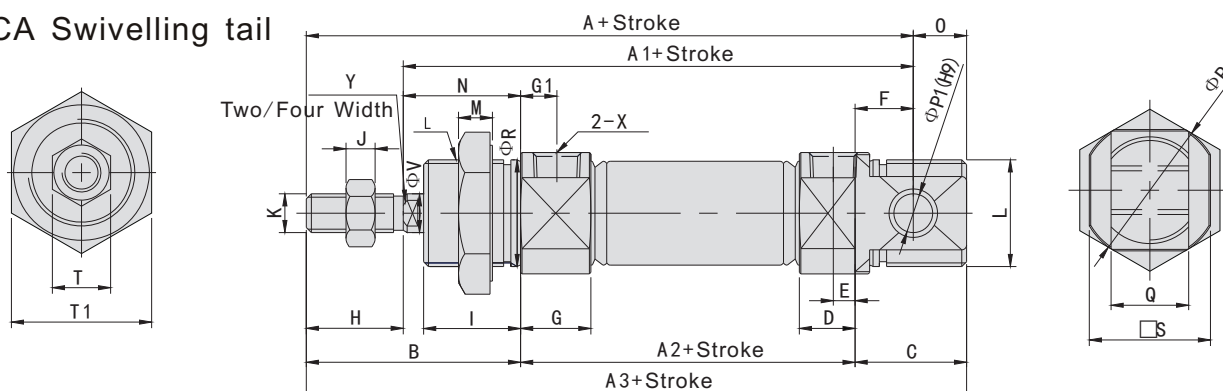
### Specifications

Bore (mm)		8	10	12	16	20	25	32	40
Acting type		Double acting, Single acting spring extend, Single acting spring return							
Working medium		Clean air (40µm Filtration)							
pressure range	Double acting	0.05~0.7Mpa							
	Single acting	0.2~0.7Mpa							
Guaranteed pressure		1.5Mpa							
Working temperature		-5~70°C							
Speed range		50~750mm/s							
Cushion type		MIC Series: Adjustable Cushion				Other Series: Anti-bump cushion			
Material		Stainless steel barrel							
Port size		M5X0.8				G1/8		G1/4	

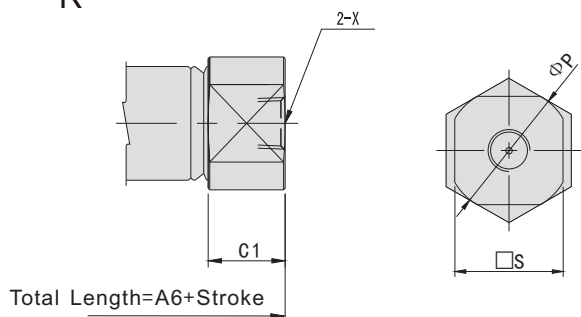
## MI Series Mini Cylinder

### Main Dimensions

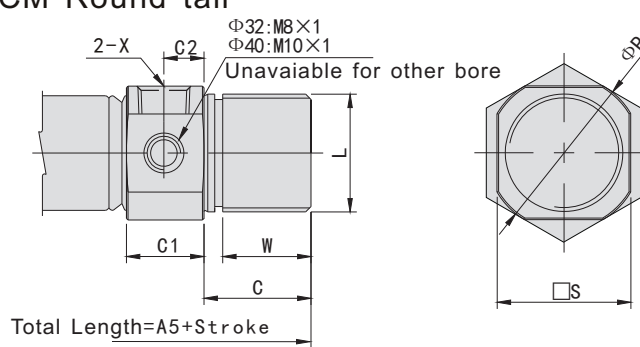
#### CA Swivelling tail



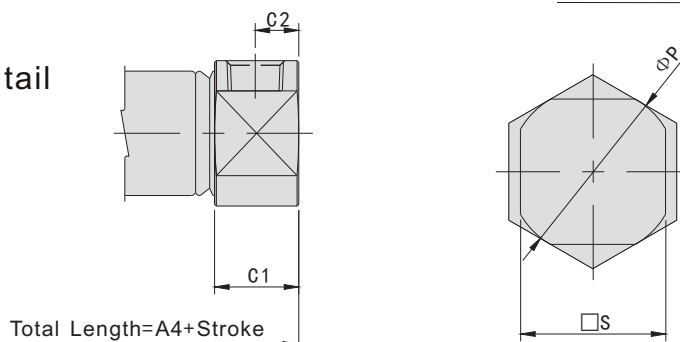
#### R



#### CM Round tail



#### U Flat tail

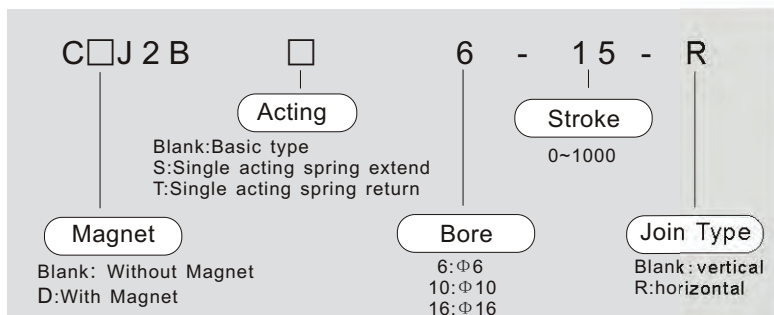


Bore	Sign	A	A1	A2	A3	A4	A5	A6	B	C	C1	C2	D	E	F	G	G1	H	I
8		76	64	46	86	74	-	-	28	12	9.5	5	9.5	5	6	11.5	7	12	12
10		76	64	46	86	74	-	-	28	12	9.5	5	9.5	5	6	11.5	7	12	12
12		91	75	50	105	88	-	-	38	17	10.5	6	10.5	6	9	12.5	8	16	17
16		98	82	56	111	94	111	94	38	17	10.5	6	10.5	6	9	12.5	8	16	17
20		115	95	62	126	106	126	106	44	20	14.5	7.5	14.5	7.5	12	14.5	7.5	20	20
25		126	104	65	137	115	137	114.5	50	22	15.5	8	16	8	12	16	8	22	22
32		-	-	-	-	125	140	126	58	14	15.5	8	-	-	-	16.5	9	20	30
40		-	-	-	-	158	174	158	69	16	22	11.5	-	-	-	22	12	24	35

Bore	Sign	J	K	L	M	N	O	P	P1	Q	R	S	T	T1	X	V	W	Y
8		2.5	M4X0.7	M12X1.25	6	16	10	17	4	8	12	15	7	17	M5X0.8	4	-	-
10		2.5	M4X0.7	M12X1.25	6	16	10	17	4	8	12	15	7	17	M5X0.8	4	-	-
12		5	M6X1.0	M16X1.5	6	22	14	20	6	12	16	18	10	22	M5X0.8	6	-	5
16		5	M6X1.0	M16X1.5	6	22	13	22	6	12	16	20	10	22	M5X0.8	6	13.5	5
20		6	M8X1.25	M22X1.5	7	24	11	29	8	16	22	25	12	29	G1/8	8	16.5	6
25		6	M10X1.25	M22X1.5	7	28	11	33.5	8	16	22	30	17	29	G1/8	10	18.5	8
32		6	M10X1.5	M30X1.5	7	38	-	37.5	-	-	30	34.5	17	36	G1/8	12	10.5	10
40		7	M12X1.75	M38X1.5	8	45	-	46.5	-	-	38	42.5	17	46	G1/4	16	12.5	14

## CJ2B Series Mini Cylinder

Ordering Code CJ2B Series Mini Cylinder

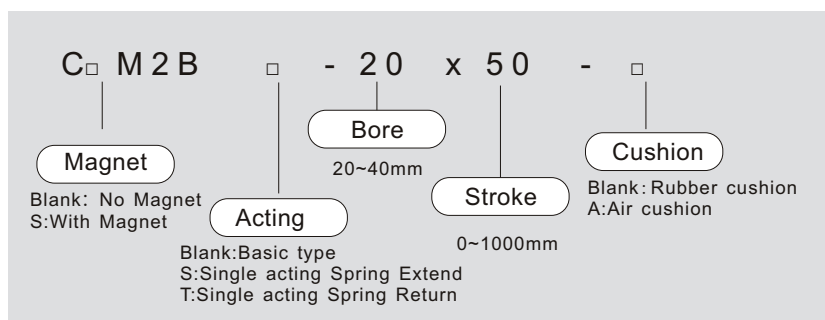


### Specifications

Bore (mm)	6	10	16
Working medium	Clean air (40µm Filtration)		
Guaranteed pressure	1.05Mpa		
Max working pressure	0.7Mpa		
Min working pressure	0.12Mpa	0.06Mpa	
Working temperature	-10~70°C		
Speed range	50~750mm/s		
Cushion type	Rubber Cushion		
Tolerance of stroke	±1.0mm		

## CDM2B Series Mini Cylinder

Ordering Code CDM2B Series Mini Cylinder

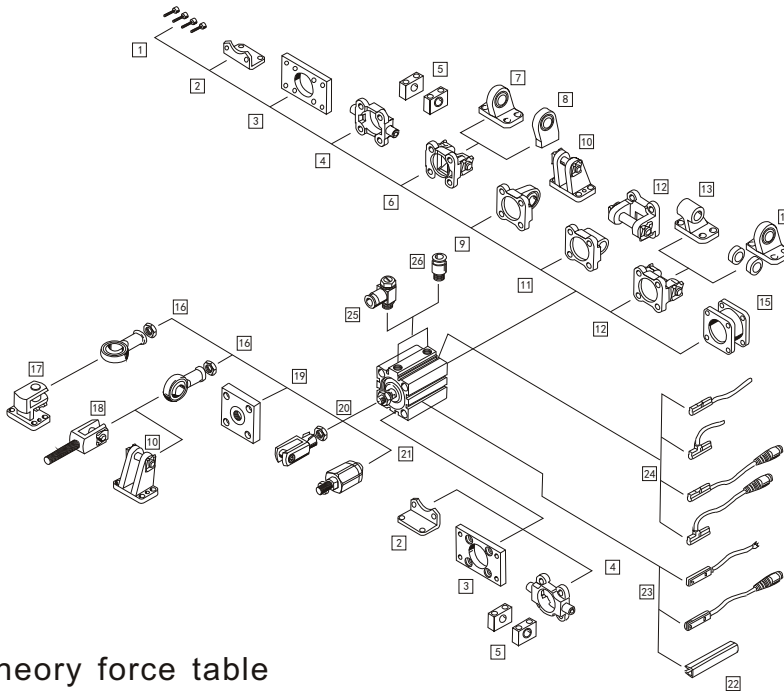


### Specifications

Bore (mm)	20	25	32	40
Working medium	Clean air (40µm Filtration)			
Acting type	Double acting			
Guaranteed pressure	0.05~1.0Mpa			
Working temperature	-10~70°C			
Cushion type	Rubber Cushion (Standard) . Air Cushion (Optional)			
Speed range	Min: 10mm/s		Max: 1000mm/s	

## Technical Data 3

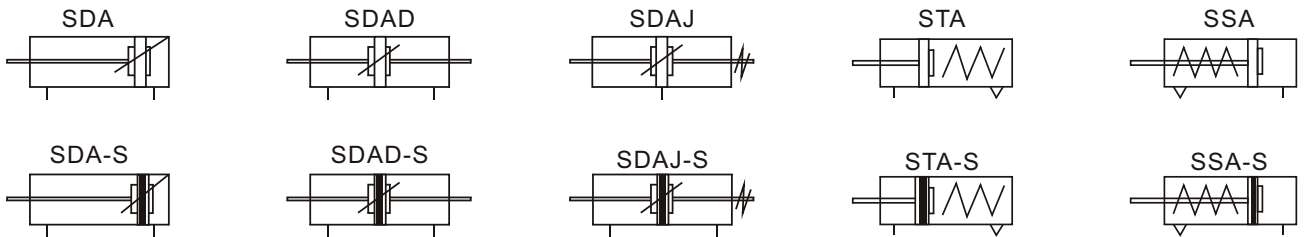
### Cylinder Peripheral Component



### Air cylinder theory force table

Bore (mm)	Piston Size (mm)	Acting Type	Pressure Square (mm <sup>2</sup> )	Air Pressure(Mpa)							
				0.1	0.2	0.3	0.4	0.5	0.6	0.7	
12	6	Single acting extend	113	-	7.0	18.3	29.6	40.9	52.2	63.5	
		Single acting return	85	-	1.4	9.9	18.4	26.9	35.4	43.9	
		Double acting	Press side	113	-	22.6	33.9	45.2	56.5	67.8	79.1
			Pull side	85	-	1.7	25.5	3.4	42.5	5.1	59.5
16	6	Single acting extend	201	-	13.6	33.7	53.8	73.9	94.0	114.1	
		Single acting return	173	-	8.0	25.3	42.6	59.9	77.2	94.5	
		Double acting	Press side	201	-	40.2	60.3	80.4	100.5	120.6	140.7
			Pull side	173	-	34.6	51.9	69.2	86.5	103.8	121.1
20	8	Single acting extend	314	-	28.7	60.1	91.5	122.9	154.3	185.7	
		Single acting return	264	-	18.7	45.1	71.5	97.9	124.3	150.7	
		Double acting	Press side	314	-	62.8	94.2	125.6	157.0	188.4	219.8
			Pull side	264	-	52.8	79.2	105.6	132.0	158.4	184.8
25	10	Single acting extend	490	-	58.0	107.0	156.0	205.0	254.0	303.0	
		Single acting return	412	-	42.4	83.6	124.8	166.0	207.2	248.4	
		Double acting	Press side	490	-	98.0	147.0	196.0	245.0	294.0	343.0
			Pull side	412	-	82.4	123.6	164.8	206.0	247.2	288.4
32	12	Single acting extend	804	-	112.1	192.5	272.9	353.3	433.7	514.1	
		Single acting return	690	-	89.3	158.3	227.3	296.3	365.3	434.3	
		Double acting	Press side	804	-	160.8	241.2	321.6	402.0	482.4	562.8
			Pull side	690	-	138.0	207.0	276.0	345.0	414.0	483.0
40	16	Single acting extend	1256	-	200.8	326.4	452.0	577.6	703.2	828.8	
		Single acting return	1055	-	160.6	266.1	371.6	477.1	582.6	688.1	
		Double acting	Press side	1256	125.6	251.2	376.8	502.4	628.0	753.6	879.2
			Pull side	1055	105.5	211.0	316.5	422.0	527.5	633.0	738.5
50	20	Single acting extend	1963	196.3	392.6	588.9	785.2	981.5	1177.8	1374.1	
		Single acting return	1649	164.9	329.8	494.7	659.6	824.5	989.4	1154.3	
63	20	Double acting	Press side	3117	311.7	623.4	935.1	1246.8	1558.5	1870.2	2181.9
			Pull side	2803	280.3	560.6	840.9	1121.2	1401.5	1681.8	1962.1
80	25	Single acting extend	5026	502.6	1005.2	1507.8	2010.4	2513.0	3015.6	3518.2	
		Single acting return	4536	453.6	907.2	1360.8	1814.4	2268.0	2721.6	3175.2	
100	32	Double acting	Press side	7853	785.3	1570.6	2355.9	3141.2	3926.5	4711.8	5497.1
			Pull side	7049	704.9	1409.8	2114.7	2819.6	3524.5	4229.4	4934.3

## SDA Series Compact Cylinder



### Ordering Code SDA Series Compact Cylinder

S D A	S	2 0	X	3 0	-	2 0	-	B
Series Code	Magnet	Bore	Stroke	Adjustable Stroke		Thread		
SDA: Double Acting SSA: Single Acting Spring Extend STA: Single Acting Spring Return SDAD: Double Shaft Acting SDAJ: Adjustable cushion type	Blank: Without Magnet S: With Magnet			10: 10mm 20: 20mm 30: 30mm 40: 40mm 50: 50mm 75: 75mm 100: 100mm		Blank: Female thread B: Male thread N: No thread		

### Specifications

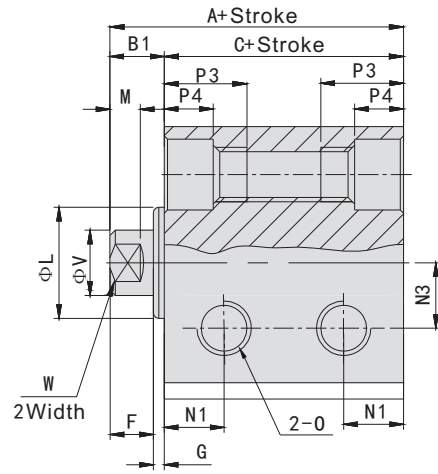
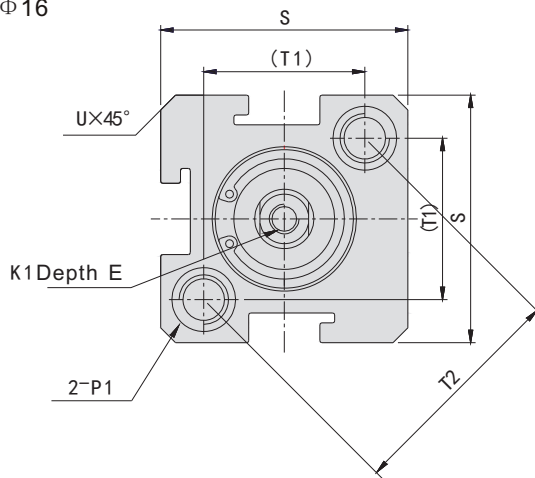
Bore (mm)		12	16	20	25	32	40	50	63	80	100
Acting type		Double acting									
		Single Acting Spring Extend, Single Acting Spring Return									-
Working medium		Clean air (40µm Filtration)									
pressure range	Double acting	0.1~0.9Mpa									
	Single acting	0.2~0.9Mpa									-
Guaranteed pressure		1.5Mpa(213Psi)									
Working temperature		-5~70°C									
Speed range	Double acting	30~500mm/s					30~350mm/s			30~250mm/s	
	Single acting	100-500mm/s						-			
Cushion type		Fixed Cushion									
Port size		M5X0.8			G1/8		G1/4		G3/8		



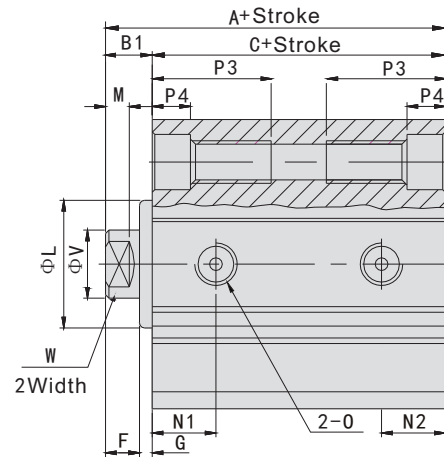
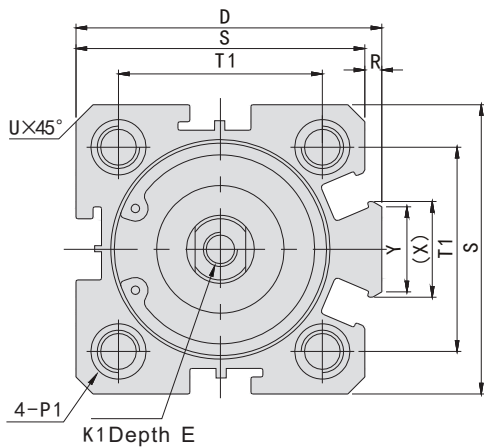
## SDA Series Compact Cylinder

### Main Dimensions SDA/SDAS (Double Acting Type)

Φ12-Φ16



Φ20-Φ100



Model	Standard			With Magnet			D	E	F	G	K1	L	M	N1		N2		N3
	A	B1	C	A	B1	C								S=5	S>5	S=5	S>5	
12	22	5	17	32	5	27	-	6	4	1	M3X0.5	10.2	2.8	6.3	6.3	6	-	
16	24	5.5	18.5	34	5.5	28.5	-	6	4	1.5	M3X0.5	11	2.8	7.3	7.3	6.5	-	
20	25	5.5	19.5	35	5.5	29.5	36	8	4	1.5	M4X0.7	15	2.8	7.5	7.5	-	-	
25	27	6	21	37	6	31	42	10	4	2	M5X0.8	17	2.8	8	8	-	-	
32	31.5	7	24.5	41.5	7	34.5	50	12	4	3	M6X1	22	2.8	9	9	-	-	
40	33	7	26	43	7	36	58.5	12	4	3	M8X1.25	28	2.8	10	10	-	-	
50	37	9	28	47	9	38	71.5	15	5	4	M10X1.5	38	2.8	10.5	10.5	-	-	
63	41	9	32	51	9	42	84.5	15	5	4	M10X1.5	40	2.8	9.5	12	9.5	11	-
80	52	11	41	62	11	51	104	20	6	5	M14X1.5	45	4	11.5	14.5	11.5	14.5	-
100	63	12	51	73	12	61	124	20	7	5	M18X1.5	55	4	16	20.5	16	20.5	-

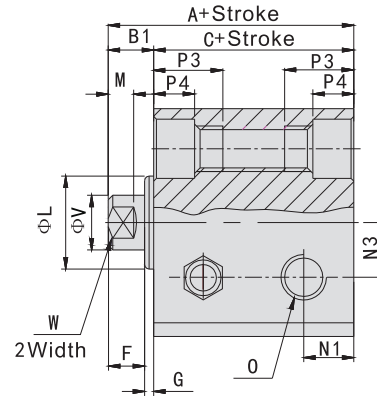
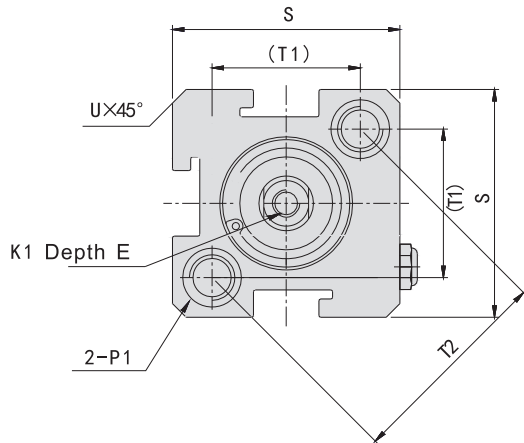
Bore/Sign	O	P1							P3	P4	R	S	T1	T2	U	V	W	X	Y
		Double Side: Φ 6.5	Thread: M5X0.8	Through Hole: Φ 4.2	12 <th>4.5 <th>- <th>25 <th>16.2 <th>23 <th>1.6 <th>6 <th>5 <th>- <th>- </th></th></th></th></th></th></th></th></th></th>	4.5 <th>- <th>25 <th>16.2 <th>23 <th>1.6 <th>6 <th>5 <th>- <th>- </th></th></th></th></th></th></th></th></th>	- <th>25 <th>16.2 <th>23 <th>1.6 <th>6 <th>5 <th>- <th>- </th></th></th></th></th></th></th></th>	25 <th>16.2 <th>23 <th>1.6 <th>6 <th>5 <th>- <th>- </th></th></th></th></th></th></th>											
12	M5X0.8	Double Side: Φ 6.5	Thread: M5X0.8	Through Hole: Φ 4.2	12	4.5	-	25	16.2	23	1.6	6	5	-	-				
16	M5X0.8	Double Side: Φ 6.5	Thread: M5X0.8	Through Hole: Φ 4.2	12	4.5	-	29	19.8	28	1.6	6	5	-	-				
20	M5X0.8	Double Side: Φ 6.5	Thread: M5X0.8	Through Hole: Φ 4.2	14	4.5	2	34	24	-	2.1	8	6	11.3	10				
25	M5X0.8	Double Side: Φ 8.2	Thread: M6X1.0	Through Hole: Φ 4.6	15	5.5	2	40	28	-	3.1	10	8	12	10				
32	G1/8	Double Side: Φ 8.2	Thread: M6X1.0	Through Hole: Φ 4.6	16	5.5	6	44	34	-	2.15	12	10	18.3	15				
40	G1/8	Double Side: Φ 10	Thread: M8X1.25	Through Hole: Φ 6.5	20	7.5	6.5	52	40	-	2.25	16	14	21.3	16				
50	G1/4	Double Side: Φ 11	Thread: M8X1.25	Through Hole: Φ 6.5	25	8.5	9.5	62	48	-	4.15	20	17	30	20				
63	G1/4	Double Side: Φ 11	Thread: M8X1.25	Through Hole: Φ 6.5	25	8.5	9.5	75	60	-	3.15	20	17	28.7	20				
80	G3/8	Double Side: Φ 14	Thread: M12X1.75	Through Hole: Φ 9.2	25	10.5	10	94	74	-	3.65	25	22	36	26				
100	G3/8	Double Side: Φ 17.5	Thread: M14X2	Through Hole: Φ 11.3	30	13	10	114	90	-	3.65	32	27	35	26				



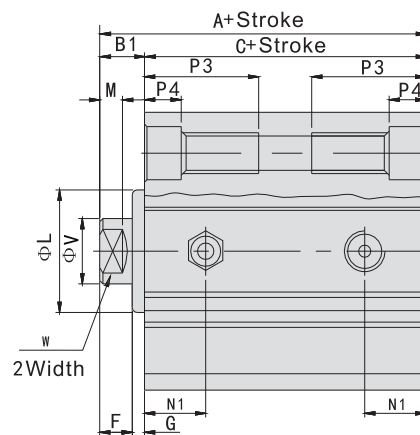
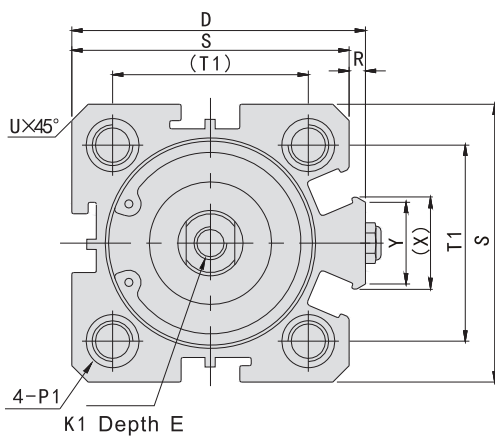
## SDA Series Compact Cylinder

### Main Dimensions SSA/SSAS (Single Acting Spring Extend)

Φ12-Φ16



ø20-ø50



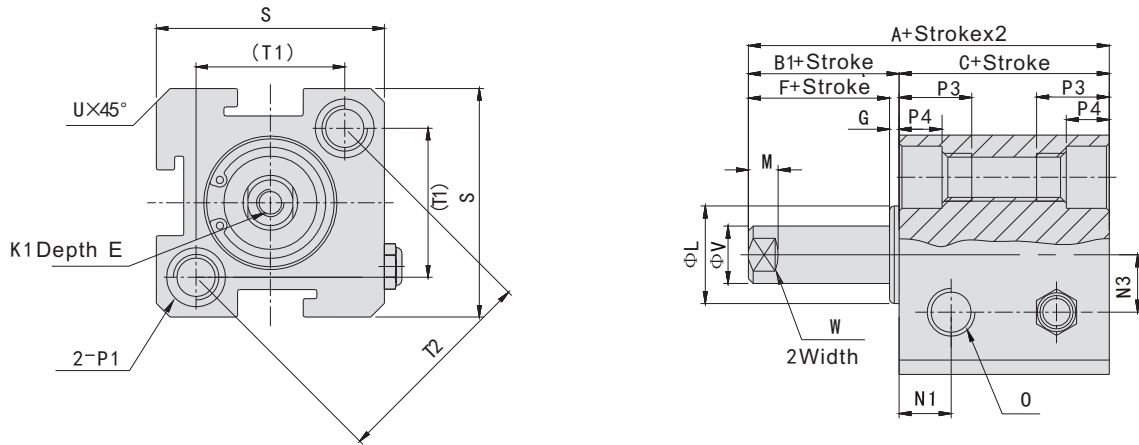
Model	Standard				With Magnet				D	E	F	G	K1	L	M	N1	N3		
	A		B1	C		A		B1										C	
	≤10	>10		≤10	>10	≤10	>10											≤10	>10
12	32	42	5	27	37	42	52	5	37	47	-	6	4	1	M3X0.5	10.2	2.8	6.3	6
16	34	44	5.5	28.5	38.5	44	54	5.5	38.5	48.5	-	6	4	1.5	M3X0.5	11	2.8	7.3	6.5
20	35	45	5.5	29.5	39.5	45	55	5.5	39.5	49.5	36	8	4	1.5	M4X0.7	16	2.8	7.5	-
25	37	47	6	31	41	47	57	6	41	51	42	10	4	2	M5X0.8	17	2.8	8	-
32	41.5	51.5	7	34.5	44.5	51.5	61.5	7	44.5	54.5	50	12	4	3	M6X1	22	2.8	9	-
40	43	53	7	36	46	53	63	7	46	56	58.5	12	4	3	M8X1.25	28	2.8	10	-
50	47	57	9	38	48	57	67	9	48	58	71.5	15	5	4	M10X1.5	38	2.8	10.5	-

Bore	Sign	O	P1							P3	P4	R	S	T1	T2	U	V	W	X	Y
12	M5X0.8	Double Side: Φ6.5 Thread: M5X0.8 Through Hole: Φ4.2	12	4.5	-	25	16.2	23	1.6	6	5	-	-							
16	M5X0.8	Double Side: Φ6.5 Thread: M5X0.8 Through Hole: Φ4.2	12	4.5	-	29	19.8	28	1.6	6	5	-	-							
20	M5X0.8	Double Side: Φ6.5 Thread: M5X0.8 Through Hole: Φ4.2	14	4.5	2	34	24	-	2.1	8	6	11.3	10							
25	M5X0.8	Double Side: Φ8.2 Thread: M6X1.0 Through Hole: Φ4.6	15	5.5	2	40	28	-	3.1	10	8	12	10							
32	G1/8	Double Side: Φ8.5 Thread: M6X1.0 Through Hole: Φ4.6	16	5.5	6	44	34	-	2.15	12	10	18.3	15							
40	G1/8	Double Side: Φ10 Thread: M8X1.25 Through Hole: Φ6.5	20	7.5	6.5	52	40	-	2.25	16	14	21.3	16							
50	G1/4	Double Side: Φ10 Thread: M8X1.25 Through Hole: Φ6.5	25	6.5	9.5	62	48	-	4	20	17	30	20							

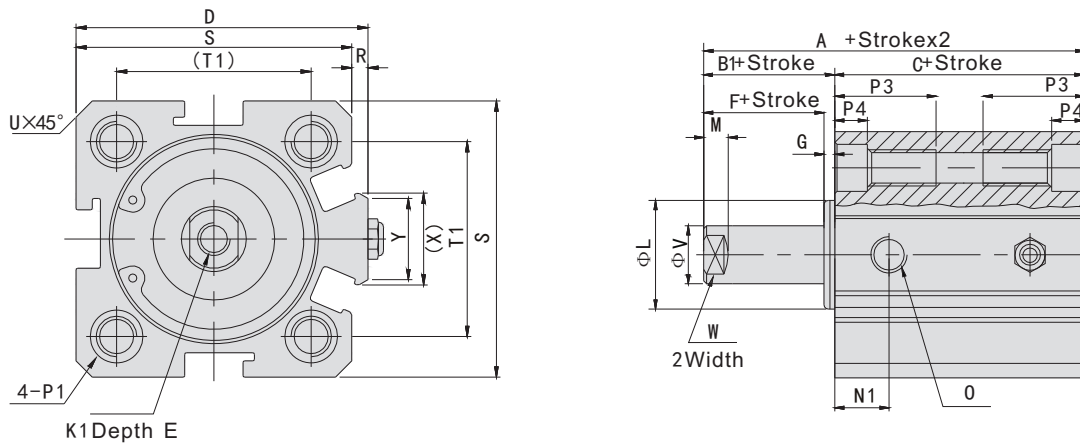
## SDA Series Compact Cylinder

### Main Dimensions STA/STAS (Single Acting Spring Return)

Φ12-Φ16



Φ20-Φ40

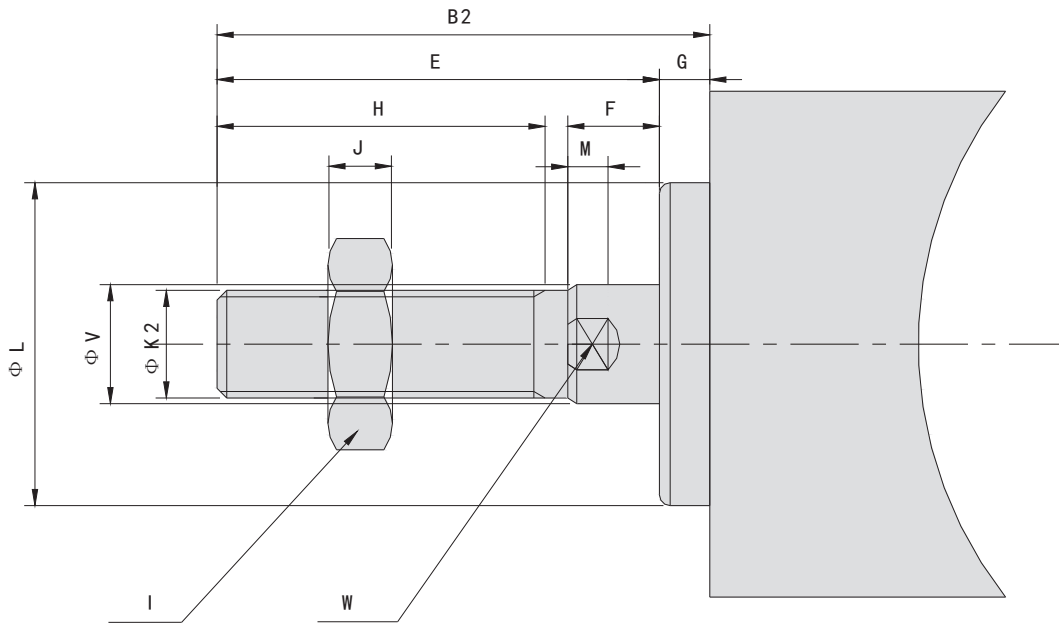


Model	Standard						With Magnet						D	E	F	G	K1	L	M	N1	N3
	A		B1	C		A		B1	C												
	≤10	>10		≤10	>10	≤10	>10		≤10	>10											
12	32	42	5	27	37	42	52	5	37	47	-	6	4	1	M3X0.5	10.2	2.8	6.3	6		
16	34	44	5.5	28.5	38.5	44	54	5.5	38.5	48.5	-	6	4	1.5	M3X0.5	11	2.8	7.3	6.5		
20	35	45	5.5	29.5	39.5	45	55	5.5	39.5	49.5	36	8	4	1.5	M4X0.7	15	2.8	7.5	-		
25	37	47	6	31	41	47	57	6	41	51	42	10	4	2	M5X0.8	17	2.8	8	-		
32	41.5	51.5	7	34.5	44.5	51.5	61.5	7	44.5	54.5	50	12	4	3	M6X1	22	2.8	9	-		
40	43	53	7	36	46	53	63	7	46	56	58.5	12	4	3	M8X1.25	28	2.8	10	-		

Bore	Sign	O	P1							P3	P4	R	S	T1	T2	U	V	W	X	Y
			A	B1	C	A	B1	C												
12	M5X0.8	Double Side: Φ6.5 Thread:M5X0.8 Through Hole: Φ4.2	12	4.5	-	25	16.2	23	1.6	6	5	-	-							
16	M5X0.8	Double Side: Φ6.5 Thread:M5X0.8 Through Hole: Φ4.2	12	4.5	-	29	19.8	28	1.6	6	5	-	-							
20	M5X0.8	Double Side: Φ6.5 Thread:M5X0.8 Through Hole: Φ4.2	14	4.5	2	34	24	-	2.1	8	6	11.3	10							
25	M5X0.8	Double Side: Φ8.2 Thread:M6X1.0 Through Hole: Φ4.6	15	5.5	2	40	28	-	3.1	10	8	12	10							
32	G1/8	Double Side: Φ8.2 Thread:M6X1.0 Through Hole: Φ4.6	16	5.5	6	44	34	-	2.15	12	10	18.3	15							
40	G1/8	Double Side: Φ10 Thread:M8X1.25 Through Hole: Φ6.5	20	7.5	6.5	52	40	-	2.25	16	14	21.3	16							

## SDA Series Compact Cylinder

### Main Dimensions SDA SSA STA

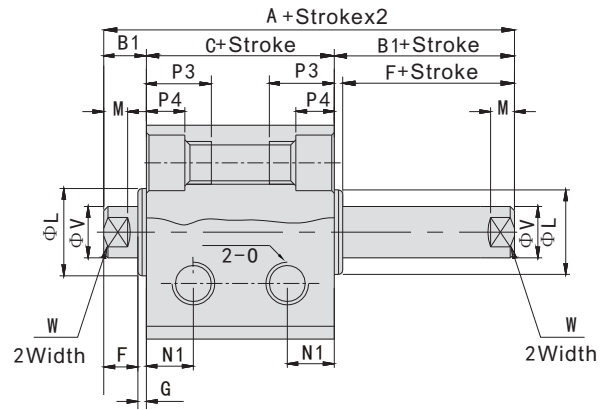
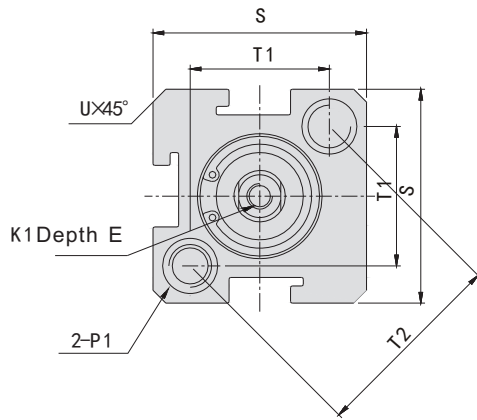


Bore	Sign	B2	E	F	G	H	I	J	K2	L	M	V	W
12		17	16	4	1	10	8	4	M5X0.8	10.2	2.8	6	5
16		17.5	16	4	1.5	10	8	4	M5X0.8	11	2.8	6	5
20		20.5	19	4	1.5	13	10	5	M6X1.0	15	2.8	8	6
25		23	21	4	2	15	12	6	M8X1.25	17	2.8	10	8
32		25	22	4	3	15	17	6	M10X1.25	22	2.8	12	10
40		35	32	4	3	25	19	8	M14X1.5	28	2.8	16	14
50		37	33	5	4	25	27	11	M18X1.5	38	2.8	20	17
63		37	33	5	4	25	27	11	M18X1.5	40	2.8	20	17
80		44	39	6	5	30	32	13	M22X1.5	45	4	25	22
100		50	45	7	5	35	36	13	M26X1.5	55	4	32	27

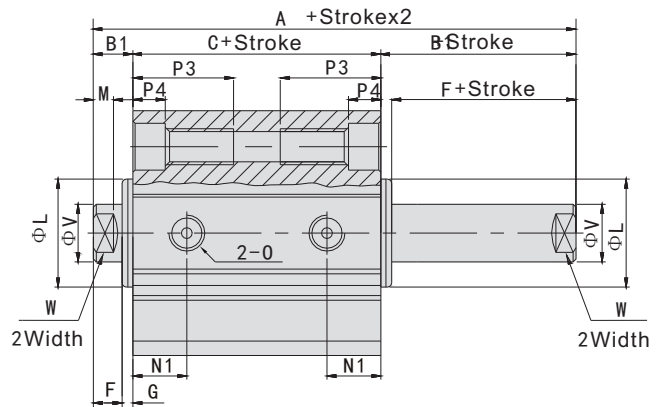
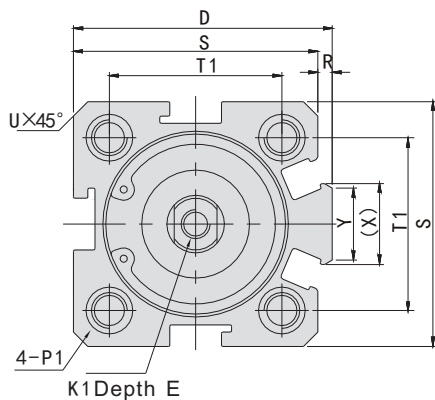
## SDA Series Compact Cylinder

### Main Dimensions SDAD/SDADS (Double Shaft Acting Adjustable Type)

Φ12-Φ16



Φ20-Φ100



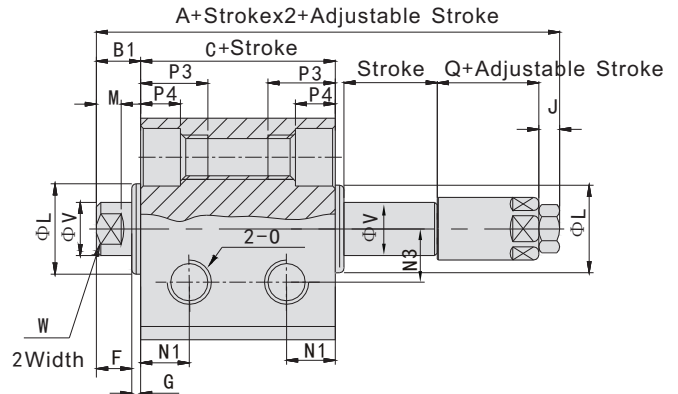
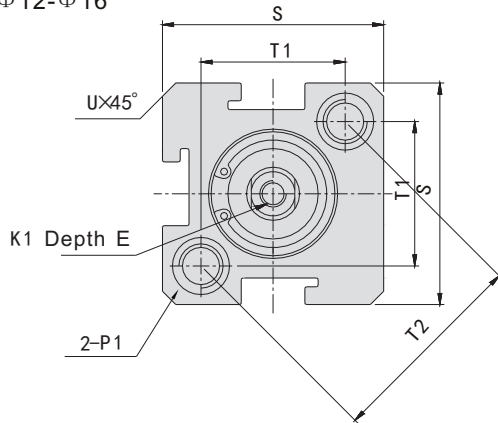
Model	Standard			With Magnet			D	E		F	G	K1	L	M	N1		N3
	A	B1	C	A	B1	C		S ≤ 10	S > 10						S=5	S > 5	
12	27	5	17	37	5	27	-	6		4	1	M3X0.5	10.2	2.8	6.3	6	
16	29.5	5.5	18.5	39.5	5.5	28.5	-	6		4	1.5	M3X0.5	11	2.8	7.3	6.5	
20	30.5	5.5	19.5	40.5	5.5	29.5	36	8(S=5 6.5)		4	1.5	M4X0.7	15	2.8	7.5	-	
25	33	6	21	43	6	31	42	10(S=5 7)		4	2	M5X0.8	17	2.8	8	-	
32	38.5	7	24.5	48.5	7	34.5	50	8	12	4	3	M6X1	22	2.8	9	-	
40	40	7	26	50	7	36	58.5	8	12	4	3	M8X1.25	28	2.8	10	-	
50	46	9	28	56	9	38	71.5	8	15	5	4	M10X1.5	38	2.8	10.5	-	
63	50	9	32	60	9	42	84.5	10	15	5	4	M10X1.5	40	2.8	9.5	11.8	
80	63	11	41	73	11	51	104	13	20	6	5	M14X1.5	45	4	11.5	14.5	
100	75	12	51	85	12	61	124	18	20	7	5	M18X1.5	55	4	16	20.5	

Bore	Sign	O	P1	P3	P4	R	S	T1	T2	U	V	W	X	Y
12	M5X0.8	Double Side: Φ6.5 Thread:M5X0.8 Through Hole: Φ4.2	12	4.5	-	25	16.2	23	1.6	6	5	-	-	
16	M5X0.8	Double Side: Φ6.5 Thread:M5X0.8 Through Hole: Φ4.2	12	4.5	-	29	19.8	28	1.6	6	5	-	-	
20	M5X0.8	Double Side: Φ6.5 Thread:M5X0.8 Through Hole: Φ4.2	14	4.5	2	34	24	-	2.1	8	6	11.3	10	
25	M5X0.8	Double Side: Φ8.2 Thread:M6X1.0 Through Hole: Φ4.6	15	5.5	2	40	28	-	3.1	10	8	12	10	
32	G1/8	Double Side: Φ8.2 Thread:M6X1.0 Through Hole: Φ4.6	16	5.5	6	44	34	-	2.15	12	10	18.3	15	
40	G1/8	Double Side: Φ10 Thread:M8X1.25 Through Hole: Φ6.5	20	7.5	6.5	52	40	-	2.25	16	14	21.3	16	
50	G1/4	Double Side: Φ11 Thread:M8X1.25 Through Hole: Φ6.5	25	8.5	9.5	62	48	-	4.15	20	17	30	20	
63	G1/4	Double Side: Φ11 Thread:M8X1.25 Through Hole: Φ6.5	25	8.5	9.5	75	60	-	3.15	20	17	28.7	20	
80	G3/8	Double Side: Φ14 Thread:M12X1.75 Through Hole: Φ9.2	25	10.5	10	94	74	-	3.65	25	22	36	26	
100	G3/8	Double Side: Φ17.5 Thread:M14X2 Through Hole: Φ11.3	30	13	10	114	90	-	3.65	32	27	35	26	

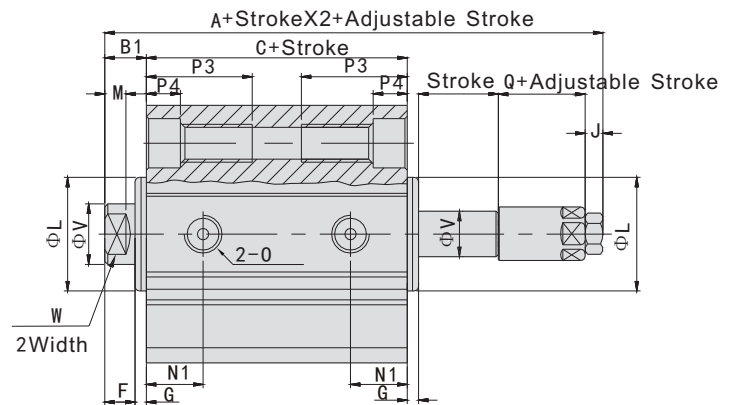
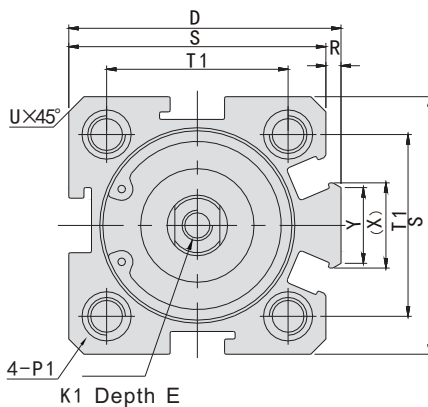
## SDA Series Compact Cylinder

### ■ Main Dimensions SDAJ/SDAJS (Double Shaft Adjustable Stroke Type)

Φ12-Φ16



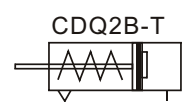
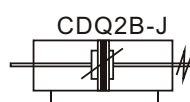
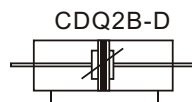
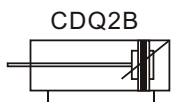
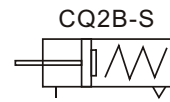
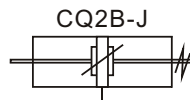
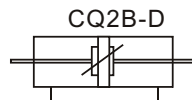
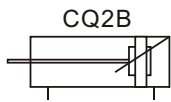
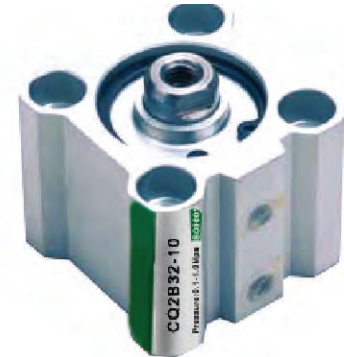
Φ20-Φ100



Model Bore/Sign	Standard			With Magnet			D	E		F	G	J	K1	L	M	N1	
	A	B1	C	A	B1	C		S≤10	S>10							S=5	S>5
12	40	5	17	50	5	27	-	6		4	1	4	M3X0.5	10.2	2.8	6.3	
16	42.5	5.5	18.5	52.5	5.5	28.5	-	6		4	1.5	4	M3X0.5	11	2.8	7.3	
20	47.5	5.5	19.5	57.5	5.5	29.5	36	8(S=5 6.5)		4	1.5	5	M4X0.7	15	2.8	7.5	
25	55	6	21	65	6	31	42	10(S=5 7)		4	2	6	M5X0.8	17	2.8	8	
32	61.5	7	24.5	71.5	7	34.5	50	8	12	4	3	6	M6X1	22	2.8	9	
40	65	7	26	75	7	36	58.5	8	12	4	3	8	M8X1.25	28	2.8	10	
50	73	9	28	83	9	38	71.5	8	15	5	4	11	M10X1.5	38	2.8	10.5	
63	77	9	32	87	9	42	84.5	10	15	5	4	11	M10X1.5	40	2.8	9.5	11.8
80	94	11	41	104	11	51	104	13	20	6	5	13	M14X1.5	45	4	11.5	14.5
100	105	12	51	115	12	61	124	18	20	7	5	13	M18X1.5	55	4	16	20.5

Bore	Sign	N3	O	P1								U	V	W	X	Y							
				P4	Q	R	S	T1	T2														
12	-	6	M5X0.8	Double Side: Φ6.5 Thread:M5X0.8 Through Hole: Φ4.2								12	4.5	13	-	25	16.2	23	1.6	6	5	-	-
16	-	6.5	M5X0.8	Double Side: Φ6.5 Thread:M5X0.8 Through Hole: Φ4.2								12	4.5	13	-	29	19.8	28	1.6	6	5	-	-
20	-	-	M5X0.8	Double Side: Φ6.5 Thread:M5X0.8 Through Hole: Φ4.2								14	4.5	16	2	34	24	-	2.1	8	6	11.3	10
25	-	-	M5X0.8	Double Side: Φ8.2 Thread:M6X1.0 Through Hole: Φ4.6								15	5.5	19	2	40	28	-	3.1	10	8	12	10
32	-	-	G1/8	Double Side: Φ8.2 Thread:M6X1.0 Through Hole: Φ4.6								16	5.5	21	6	44	34	-	2.15	12	10	18.3	15
40	-	-	G1/8	Double Side: Φ10 Thread:M8X1.25 Through Hole: Φ6.5								20	7.5	21	6.5	52	40	-	2.25	16	14	21.3	16
50	-	-	G1/4	Double Side: Φ11 Thread:M8X1.25 Through Hole: Φ6.5								25	8.5	21	9.5	62	48	-	4.15	20	17	30	20
63	-	-	G1/4	Double Side: Φ11 Thread:M8X1.25 Through Hole: Φ6.5								25	8.5	21	9.5	75	60	-	3.15	20	17	28.7	20
80	-	-	G3/8	Double Side: Φ14 Thread:M12X1.75 Through Hole: Φ9.2								25	10.5	24	10	94	74	-	3.65	25	22	36	26
100	-	-	G3/8	Double Side: Φ17.5 Thread:M14X2 Through Hole: Φ11.3								30	13	24	10	114	90	-	3.65	32	27	35	26

## CQ2 Series Compact Cylinder



### Ordering Code CQ2 Series Compact Cylinder

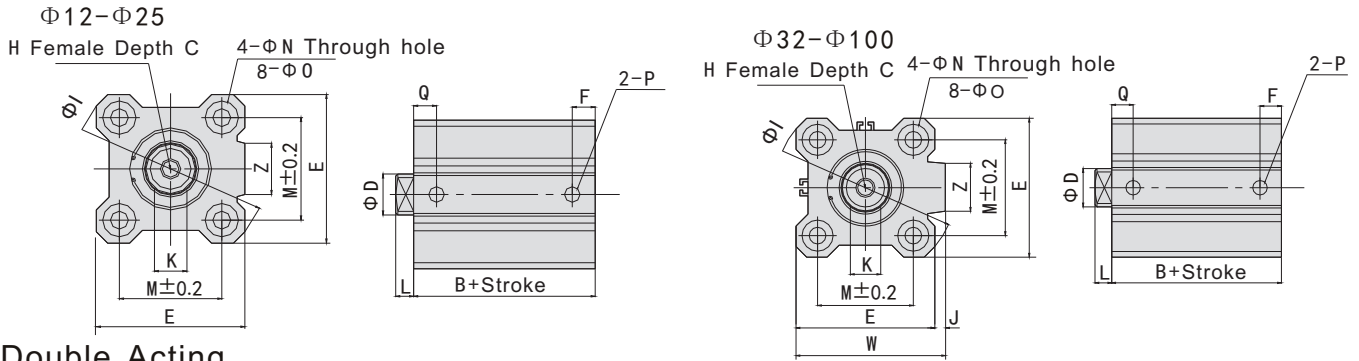
<b>C</b>	<b>Q2</b>	<b>B</b>	<b>12</b>	<b>X</b>	<b>10</b>	<b>-</b>	<b>D</b>	<b>M</b>
<b>Magnet</b>		<b>Mounting</b>	<b>Bore</b>	<b>Stroke</b>			<b>Acting</b>	<b>Thread Type</b>
Blank: Without Magnet D: With Magnet		B: Through hole A: Female thread at both ends	Double Acting: 12~100MM Spring Acting: 12~50MM				Blank: Double acting S: Single acting spring extent T: Single acting spring return D: Double shaft double acting J: Double shaft double acting adjustable	Blank: Female thread on piston rod M: Male thread on piston rod

### Specifications

Bore (mm)	12	16	20	25	32	40	50	63	80	100
Working Medium	Clean air (40µm Filtration)									
Acting Type	Double Single acting spring extent/Single acting spring reurn									
Guaranteed Pressure	1.5Mpa									
Max. Working Pressure	1.0Mpa									
Working Temperature	5~60°C									
Thread on Piston Rod	Female thread (Standard) , Male thread (Optional)									
Tolerance of Stroke	+1.0mm 0									
Lubrication	Not Required									
Installation	Through hole (Standard) , Female thread on both sides (Optional)									
Port size	M5X0.8			G1/8			G1/4		G3/8	



**Main Dimensions Double acting/Single acting Through Hole/CQ2B**



**Double Acting**

Bore	Stroke	B	ΦD	E	F	H	C	ΦI	J	K	L	M	ΦN	ΦO	P	Q	W	Z
12	5~30	17	6	25	5	M3*0.5	6	32	-	5	3.5	15.5	3.5	6.5Depth3.5	M5*0.8	7.5	-	-
16	5~30	18.5	8	29	5.5	M4*0.7	8	38	-	6	3.5	20	3.5	6.5Depth3.5	M5*0.8	8	-	10
20	5~50	19.5	10	36	5.5	M5*0.8	7	47	-	8	4.5	25.5	5.5	9Depth7	M5*0.8	9	-	10
25	5~50	22.5	12	40	5.5	M6*1.0	12	52	-	10	5	28	5.5	9Depth7	M5*0.8	11	-	10
32	5~50	23	16	45	5.5	M8*1.25	13	60	4.5	14	7	34	5.5	9Depth7	M5*0.8 1/8	11.5 10.5	49.5	14
40	5~50	29.5	16	52	8	M8*1.25	13	69	5	14	7	40	5.5	9Depth7	1/8	11	57	14
50	10~50	30.5	20	64	10.5	M10*1.5	15	86	7	17	8	50	6.6	11Depth8	1/4	10.5	71	19
63	10~50	36	20	77	10.5	M10*1.5	15	103	7	17	8	60	9	14Depth10.5	1/4	15	84	19
80	10~50	43.5	25	98	12.5	M16*2.0	21	132	6	22	10	77	11	17.5Depth13.5	3/8	16	104	26
100	10~50	53	30	117	13	M20*2.5	27	156	6.5	27	12	94	11	17.5Depth13.5	3/8	23	123.5	26

**Note2) Long Stroke**

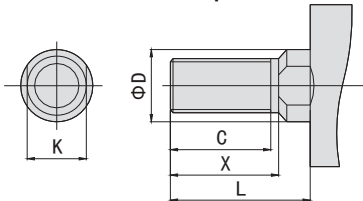
Bore	Stroke (MM)	B	F	P	Q	Bore	Stroke (MM)	B	F	P	Q
32	75,100	33	7.5	1/8	10.5	63	75,100	46	10.5	1/4	15
40	75,100	39.5	8	1/8	11	80	75,100	53.5	12.5	3/8	16
50	75,100	40.5	10.5	1/4	10.5	100	75,100	63	13	3/8	23

Note1) Standard stroke is at 5mm interval;  
 Note2) The stroke is medium stroke between 55mm and 100mm (55, 60, 65, 70, 80, 85, 90, 95) plus 5, 10, 15 or 20mm thick backing plate;  
 Note3) Unless specified, the dimensions of the model with through hole is the same as those of the model with female thread at both ends.

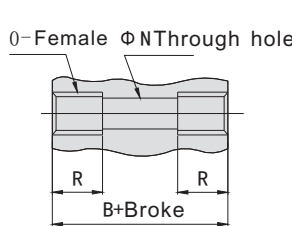
**Single Acting**

Bore	B			ΦD	E	F		H	C	ΦI	J	K	L	M	ΦN	ΦO	P			Q		W	Z
	5st	10st	20st			5st	10st										5st	10st	20st	5st	10st		
12	22	27	-	6	25	5	5	M3*0.5	6	32	-	5	3.5	15.5	3.5	6.5Depth3.5	M5*0.8	-	7.5	7.5	-	-	
16	23.5	28.5	-	8	29	5.5	5.5	M4*0.7	8	38	-	6	3.5	20	3.5	6.5Depth3.5	M5*0.8	-	8	8	-	10	
20	24.5	29.5	-	10	36	5.5	5.5	M5*0.8	7	47	-	8	4.5	25.5	5.5	9Depth7	M5*0.8	-	9	9	-	10	
25	27.5	32.5	-	12	40	5.5	5.5	M6*1.0	12	52	-	10	5	28	5.5	9Depth7	M5*0.8	-	11	11	-	10	
32	28	33	-	16	45	5.5	7.5	M8*1.25	13	60	4.5	14	7	34	5.5	9Depth7	M5*0.8 1/8	-	11.5	10.5	49.5	18	
40	34.5	39.5	-	16	52	8	8	M8*1.25	13	69	5	14	7	40	5.5	9Depth7	1/8	-	11	11	57	18	
50	-	40.5	50.5	20	64	10.5	10.5	M10*1.5	15	86	7	17	8	50	6.6	11Depth8	-	1/4	10.5	10.5	71	22	

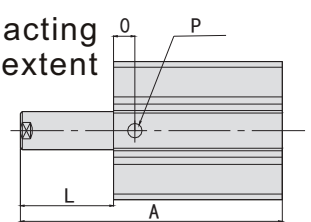
**Male thread on piston rod Female thread at both ends**



**Female thread at both ends**



**Single acting spring extent Φ12~Φ50**



Bore (mm)	C	X	ΦD	H	L	K
12	9	10.5	6	M5*0.8	14	5
16	10	12	8	M6*1.0	15.5	6
20	12	14	10	M8*1.25	18.5	8
25	15	17.5	12	M10*1.25	22.5	10
32	20.5	23.5	16	M14*1.5	28.5	14
40	20.5	23.5	16	M14*1.5	28.5	14
50	26	28.5	20	M18*1.5	33.5	17
63	26	28.5	20	M18*1.5	33.5	17
80	32.5	35.5	25	M22*1.5	43.5	22
100	32.5	35.5	30	M26*1.5	43.5	27

Bore (mm)	O	R
12	M4*0.7	7
16	M4*0.7	7
20	M6*1.0	10
25	M6*1.0	10
32	M6*1.0	10
40	M6*1.0	10
50	M8*1.25	14
63	M10*1.5	18
80	M12*1.75	22
100	M12*1.75	22

Bore (mm)	A			L		
	5st	10st	20st	5st	10st	20st
12	30.5	40.5	-	8.5	13.5	-
16	32	42	-	8.5	13.5	-
20	34	44	-	9.5	14.5	-
25	37.5	47.5	-	10	15	-
32	40	50	-	12	17	-
40	46.5	56.5	-	12	17	-
50	-	58.5	78.5	-	18	28

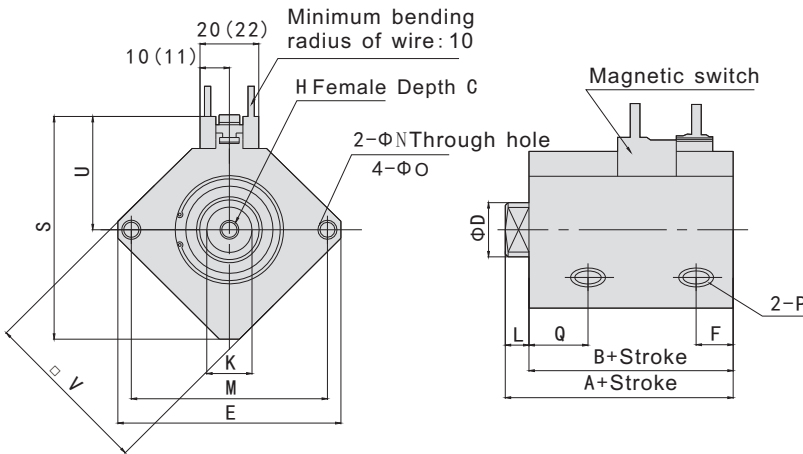
Note: Unless otherwise specified, the dimensions of model with through hole are the same as those of model with female thread at both ends



# CQ2 Series Compact Cylinder

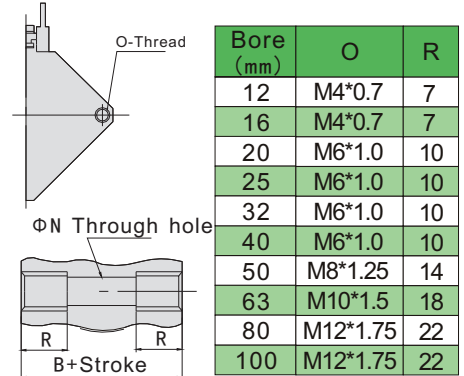
## Main Dimensions

Φ12-Φ25

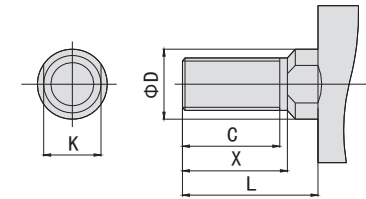


Both ends thread hole : CDQ2B

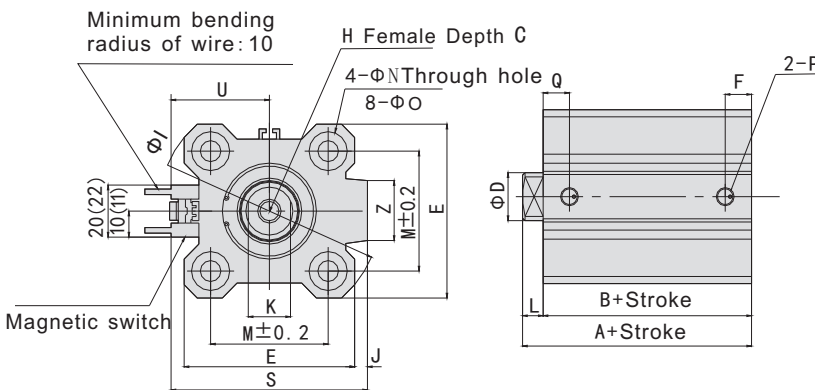
Note3) Both ends thread hole



Male thread on piston rod



Φ32-Φ100



Male thread on piston rod

Bore (mm)	C	X	ΦD	H	L	K
12	9	10.5	6	M5*0.8	14	5
16	10	12	8	M6*1.0	15.5	6
20	12	14	10	M8*1.25	18.5	8
25	15	17.5	12	M10*1.25	22.5	10
32	20.5	23.5	16	M14*1.5	28.5	14
40	20.5	23.5	16	M14*1.5	28.5	14
50	26	28.5	20	M18*1.5	33.5	17
63	26	28.5	20	M18*1.5	33.5	17
80	32.5	35.5	25	M22*1.5	43.5	22
100	32.5	35.5	30	M26*1.5	43.5	27

## Main Dimensions

Bore	Stroke Range	A	B	ΦD	E	F	H	C	ΦI	J	K	L	M	ΦN	ΦO	P	Q	S	U	V	Z
12	5~30	31.5	28	6	32	6.5	M3*0.5	6	-	-	5	3.5	22	3.5	6.5Depth3.5	M5*0.8	11	35.5	19.5	25	-
16	5~30	34	30.5	8	38	5.5	M4*0.7	8	-	-	6	3.5	28	3.5	6.5Depth3.5	M5*0.8	10	41.5	22.5	29	-
20	5~50	36	31.5	10	46.8	5.5	M5*0.8	7	-	-	8	4.5	36	5.5	9Depth7	M5*0.8	10.5	48	24.5	36	-
25	5~50	37.5	32.5	12	52	5.5	M6*1.0	12	-	-	10	5	40	5.5	9Depth7	M5*0.8	11	53.5	27.5	40	-
32	5~50	40	33	16	45	7.5	M8*1.25	13	60	4.5	14	7	34	5.5	9Depth7	1/8	10.5	58.5	31.5	-	18
40	5~50	46.5	39.5	16	52	8	M8*1.25	13	69	5	14	7	40	5.5	9Depth7	1/8	11	66	35	-	18
50	10~50	48.5	40.5	20	64	10.5	M10*1.5	15	86	7	17	8	50	6.6	11Depth8	1/4	10.5	80	41	-	22
63	10~50	54	46	20	77	10.5	M10*1.5	15	103	7	17	8	60	9	14Depth10.5	1/4	15	93	47.5	-	22
80	10~50	63.5	53.5	25	98	12.5	M16*2.0	21	132	6	22	10	77	11	17.5Depth13.5	3/8	16	112.5	57.5	-	26
100	10~50	75	63	30	117	13	M20*2.5	27	156	6.5	27	12	94	11	17.5Depth13.5	3/8	23	132.5	67.5	-	26

## Note2) Long Stroke

Mode	Stroke (MM)	A	B	F	P	Q
32	75,100	40	33	7.5	1/8	10.5
40	75,100	46.5	39.5	8	1/8	11
50	75,100	48.5	40.5	10.5	1/4	10.5
63	75,100	54	46	10.5	1/4	15
80	75,100	63.5	53.5	12.5	3/8	16
100	75,100	75	63	13	3/8	23

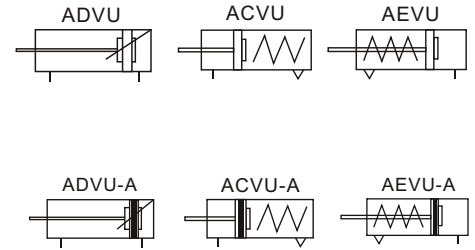
Note1) Standard stroke is at 5mm interval.

Note2) The stroke is medium stroke between 55mm and 100mm (55, 60, 65, 70, 80, 85, 90, 95), plus 5, 10, 15 or 20mm thick backing plate.

Note3) Unless specified, the dimensions of the model with through hole is the same as those of the model with female thread at both ends.

Note4) The 5mm stroke cylinder can only install 1pc magnetic switch.

## ADVU Series Compact Cylinder



### Ordering Code ADVU Series Compact Cylinder

ADVU	12	X	10	-	25	A	B
Series Code	Bore		Stroke		Adjustable Stroke	Magnet	Thread
ADVU : Double Acting AEVU:Spring Return ACVU:Spring Extend ADVUD:Double Shaft Acting ADVUJ:Adjustable cushion type						Blank : Without Magnet A:With Magnet	Blank : Female Thread B:Male Thread

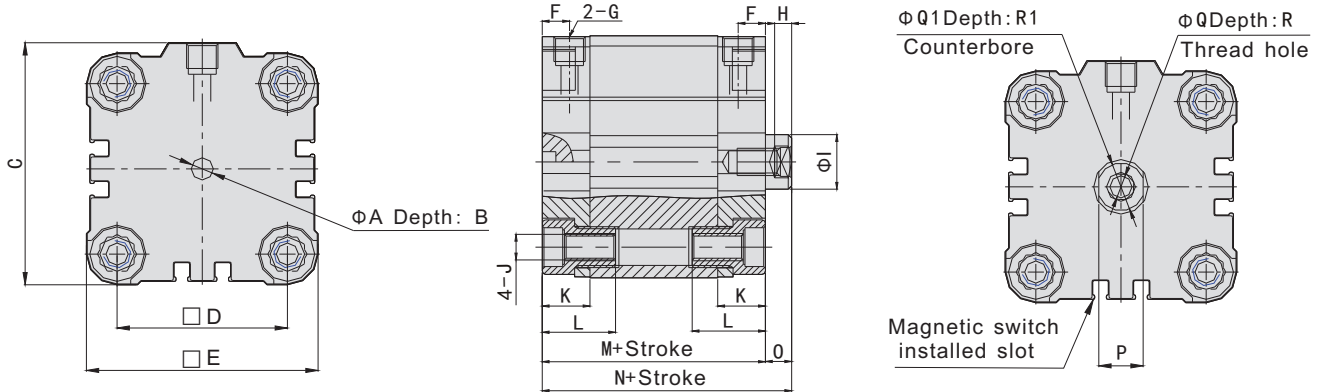
### Specifications

Bore (mm)		12	16	20	25	32	40	50	63	80	100	
Working medium		Clean air (40µm Filtration)										
Acting type		Double Acting					Spring Extend/Spring Return					
Pressure range	Double Acting	0.1~1.0Mpa										
	Spring Acting	0.2~1.0Mpa										
Guaranteed pressure		1.5Mpa										
Working medium		-5~70°C										
Speed range		Double Acting : 30~500mm/s					Spring Acting : 50~500mm/s					
Tolerance of stroke		0~150 <sup>+1.0</sup> <sub>0</sub> mm					>150 <sup>+1.4</sup> <sub>0</sub> mm					
Cushion type		Rubber Cushion										
Port size		M5X0.8					G1/8				G1/4	

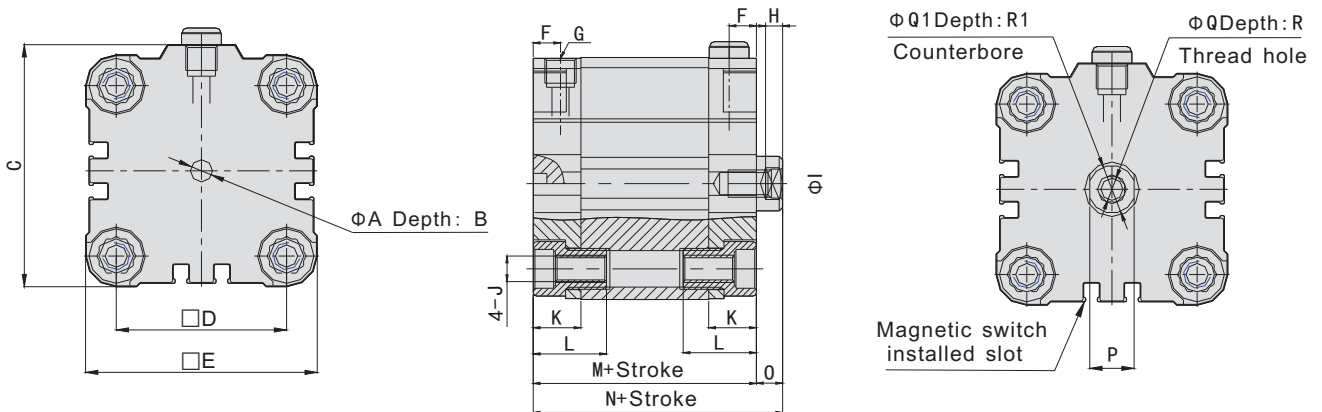
## ADVU Series Compact Cylinder

### Main Dimensions

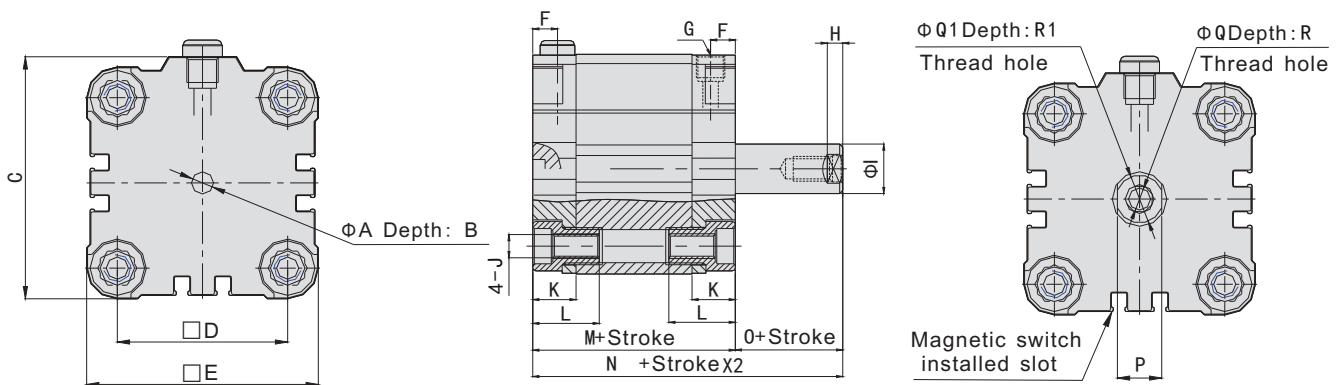
ADVU



AEVU



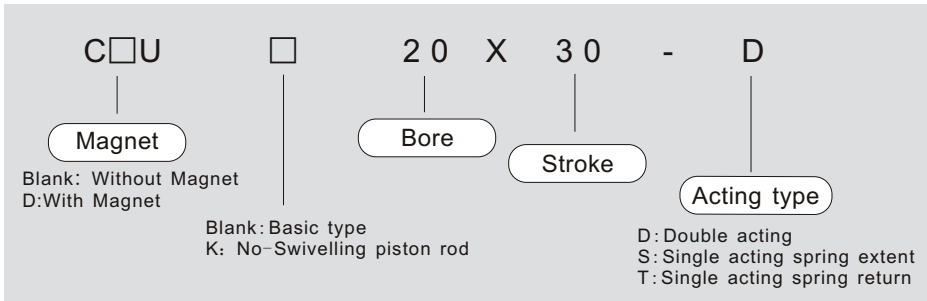
ACVU



Bore	Sign	A	B	C	D	E	F	G	H	I	J	K	L	M	N	O	P	Q	Q1	R	R1
12		6	4	30	18	29	8	M5X0.8	3	6	M4X0.7	11.5	18	38	42.5	4.5	5	M3X0.5	3.3	8	1.5
16		6	4	30	18	29	8	M5X0.8	3	8	M4X0.7	11.5	18	38	42.5	4.5	7	M4X0.7	4.5	10	1.5
20		6	4	37.5	22	36	8	M5X0.8	3	10	M5X0.8	11.5	18	38	42.5	4.5	9	M5X0.8	5.5	12	2
25		6	4	41.5	26	40	8	M5X0.8	4	10	M5X0.8	11.5	18	39.5	45	5.5	9	M5X0.8	5.5	12	2
32		6	4	52	32	50	8	G1/8	4.5	12	M6X1.0	14	21	44.5	50.5	6	32	M6X1.0	6.5	14	2.6
40		6	4	62.5	42	60	8	G1/8	4.5	12	M6X1.0	14	21	45.5	52	6.5	10	M6X1.0	6.5	14	2.6
50		6	4	71	50	68	8	G1/8	5	16	M8X1.25	14	22	45.5	53	7.5	10	M8X1.25	8.5	16	3.3
63		8	4	91	62	87	8	G1/8	5	16	M10X1.5	15	24	50	57.5	7.5	13	M8X1.25	8.5	16	3.3
80		8	4	111	82	107	8.5	G1/8	5.5	20	M10X1.5	16	27	56	64	8	17	M10X1.5	10.5	20	4.7
100		8.1	4	133	103	128	10.5	G1/8	7	25	M10X1.5	19	32	66.5	76.5	10	22	M12X17.5	12.5	24	6.1

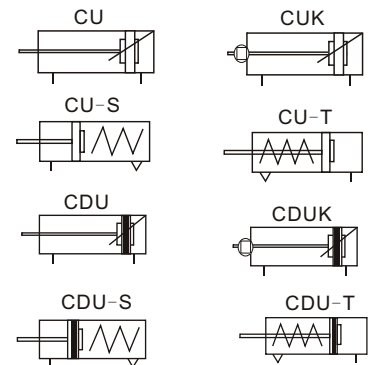
## CU Series Free Installation Cylinder

### Ordering Code CU Series Free Installation Cylinder

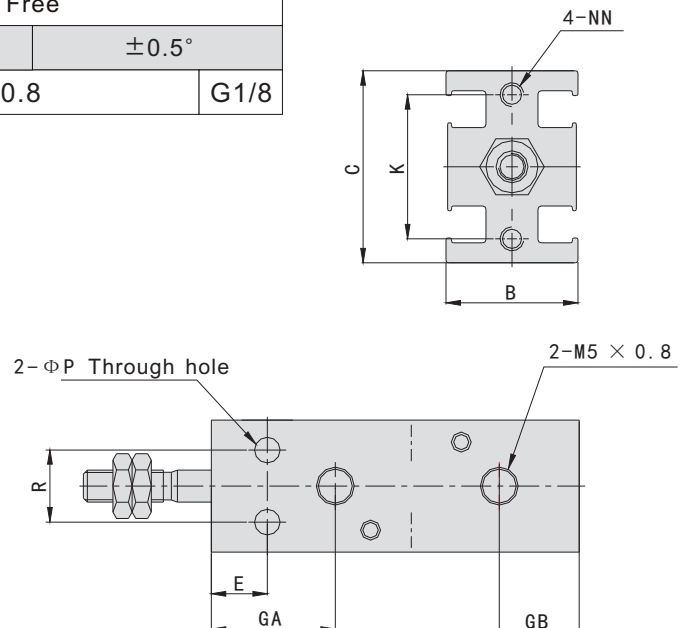
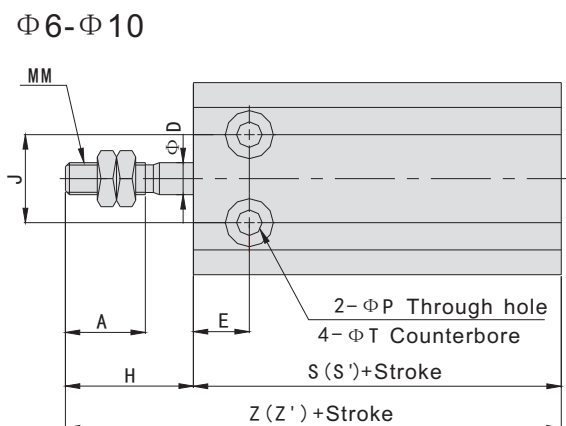


### Specifications

Bore (mm)		6	10	16	20	25	32
Working medium		Clean air (40µm Filtration)					
Acting type		Double acting/Single acting					
Min. pressure (Mpa)	Double acting	Single piston rod	0.12	0.06	0.05		
		Double piston rod	0.15	0.10	0.08		
	Single acting	Standard	0.20	0.15	0.13		
		Non-rotating	0.23	0.18	0.16		
Max. pressure		0.7Mpa					
Working temperature		5~60°C					
Cushion type		Rubber cushion					
Tolerance of stroke (mm)		+0.1 0					
Lubrication		Not required					
Installation		Free					
Non-rotating accuracy		±0.8°			±0.5°		
Port size		M5X0.8				G1/8	



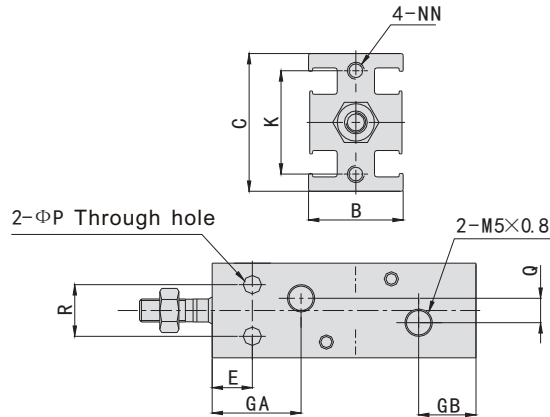
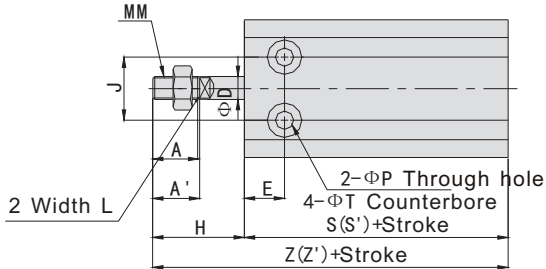
### Main Dimensions



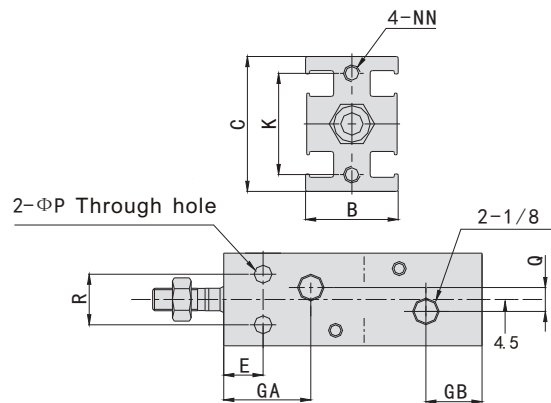
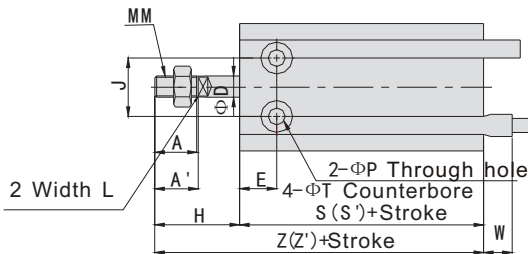
## CU Series Free Installation Cylinder

### Main Dimensions

Φ16-Φ25



Φ32



### Common Dimensions Table

Model	A	A1	B	C	ΦD	E	GA	GB	J	K	L	MM	NN	ΦP	Q	R	ΦT
C□U6	7	-	13	22	3	7	14.5	10	10	17	-	M3X0.5	M3X0.5Depth5	3.2	-	7	6Depth4.8
C□U10	10	-	15	24	4	7	15.5	10	11	18	-	M4X0.7	M3X0.5Depth5	3.2	-	9	6Depth5
C□U16	11	12.5	20	32	6	7	16.5	11.5	14	25	5	M5X0.8	M4X0.7Depth6	4.5	4	12	7.6Depth6.5
C□U20	12	14	26	40	8	9	19	12.5	16	30	6	M6X1.0	M5X0.8Depth8	5.5	9	16	9.3Depth8
C□U25	15.5	18	32	50	10	10	21.5	13	20	38	8	M8X1.25	M5X0.8Depth8	5.5	9	20	9.3Depth9
C□U32	19.5	22	40	62	12	11	23	13	24	48	10	M10X1.25	M6X1.0Depth9	6.6	13.5	24	11Depth11.5

### Double Acting

Model	H	Standard		With Magnet		
		S	Z	W	S'	Z'
C□U6-□D	13	33	46	2.5	33	46
C□U10-□D	16	36	52	1	36	52
C□U16-□D	16	30	46	0	40	56
C□U20-□D	19	36	55	1	46	65
C□U25-□D	23	40	63	-1	50	73
C□U32-□D	27	42	69	-4	52	79

### Single Acting (With spring Return)

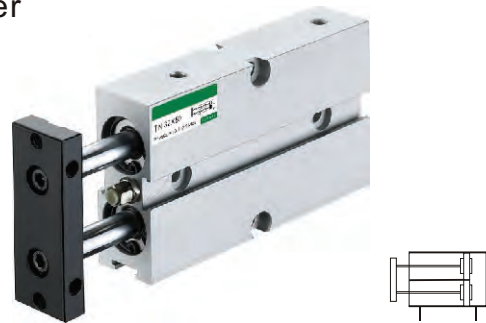
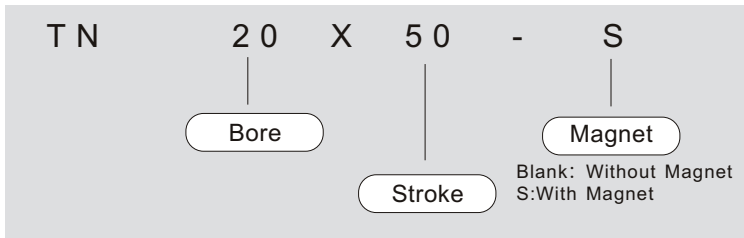
Model	H	Standard						With Magnet						
		S			Z			W	S'			Z'		
		5st	10st	15st	5st	10st	15st		5st	10st	15st	5st	10st	15st
C□U6-□S	13	38	43	48	51	56	61	2.5	38	43	48	51	56	61
C□U10-□S	16	41	46	56	57	62	72	1	41	46	56	57	62	72
C□U16-□S	16	35	40	50	51	56	66	0	45	50	60	61	66	76
C□U20-□S	19	41	46	56	60	65	75	1	51	56	66	70	75	85
C□U25-□S	23	45	50	60	68	73	83	-1	55	60	70	78	83	93
C□U32-□S	27	47	52	62	74	79	89	-4	57	62	72	84	89	99

### Single Acting (With spring Extend)

Model	H			Standard						With Magnet						
				S			Z			W	S'			Z'		
	5st	10st	15st	5st	10st	15st	5st	10st	15st		5st	10st	15st	5st	10st	15st
C□U6-□T	18	23	28	38	43	48	56	66	76	2.5	38	43	48	56	66	76
C□U10-□T	21	26	31	41	46	56	62	72	87	1	41	46	56	62	72	87
C□U16-□T	21	26	31	45	50	60	66	76	91	0	45	50	60	66	76	91
C□U20-□T	24	29	34	41	46	56	65	75	90	1	51	56	66	75	85	100
C□U25-□T	28	33	38	45	50	60	73	83	98	-1	55	60	70	83	93	108
C□U32-□T	32	37	42	47	52	62	79	89	104	-4	57	62	72	89	99	114

## TN Series Double-shaft Cylinder

Ordering Code TN Series Double-shaft Cylinder

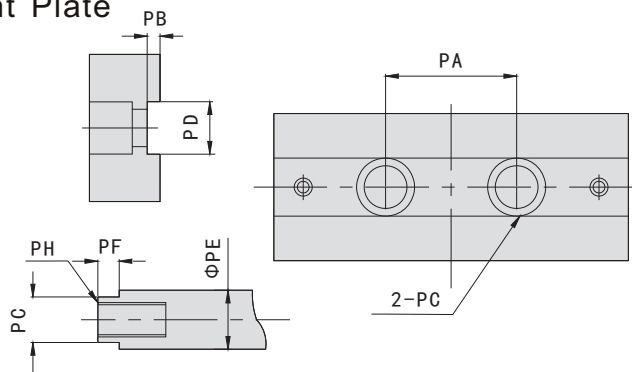


### Specifications

Bore (mm)	10	16	20	25	32
Working medium	Clean air (40µm Filtration)				
Acting type	Double acting				
Working pressure range	0.1~0.9Mpa				
Guaranteed pressure	1.5Mpa				
Working temperature	-5~70°C				
Speed range	30~500mm/s				
Adjustable stroke	-10~0mm				
Cushion type	Rubber Cushion				
No rotating accuracy	0.4°		0.3°		
Port size	M5X0.8				G1/8

### Main Dimensions

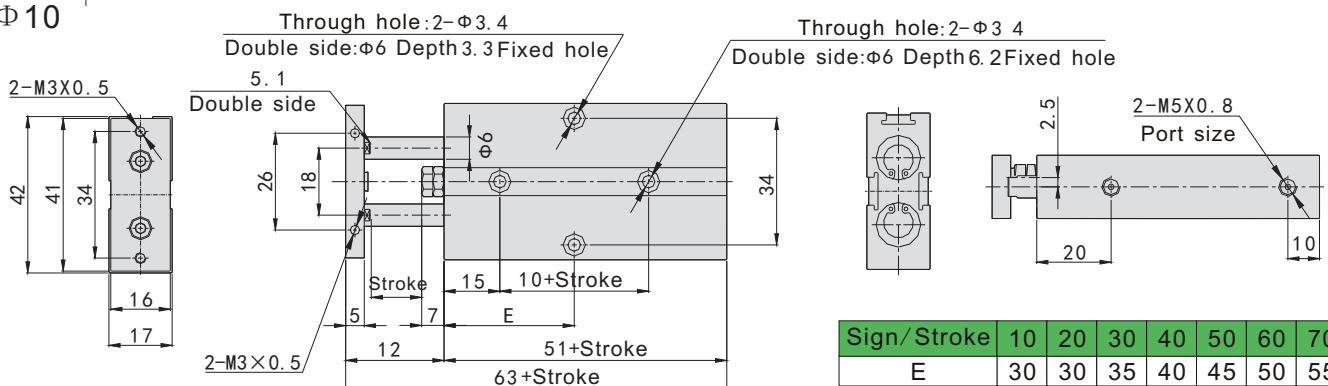
#### Front Plate



Bore/Sign	PA	PB	PC
10	18	0.7	Φ6.2X3.5Dept h Through hole: Φ3.3
16	24	1	Φ7.8X4.6Dept h Through hole: Φ4.3
20	28	1	Φ11X6.8Dept h Through hole: Φ6.5
25	34	1	Φ11X6.8Dept h Through hole: Φ6.5
32	42	2	Φ17X12Dept h Through hole: Φ10.5

Bore/Sign	PD	PE	PF	PG	PG
10	5.2	6	2.2	5.1	M3X0.5 Depth5.5
16	6.2	8	3	6.1	M4X0.7 Depth9
20	8.2	10	3	8.1	M6X1 Depth10
25	10.2	12	3	10.1	M6X1 Depth10
32	14.2	16	3	14.1	M10X1.5 Depth13

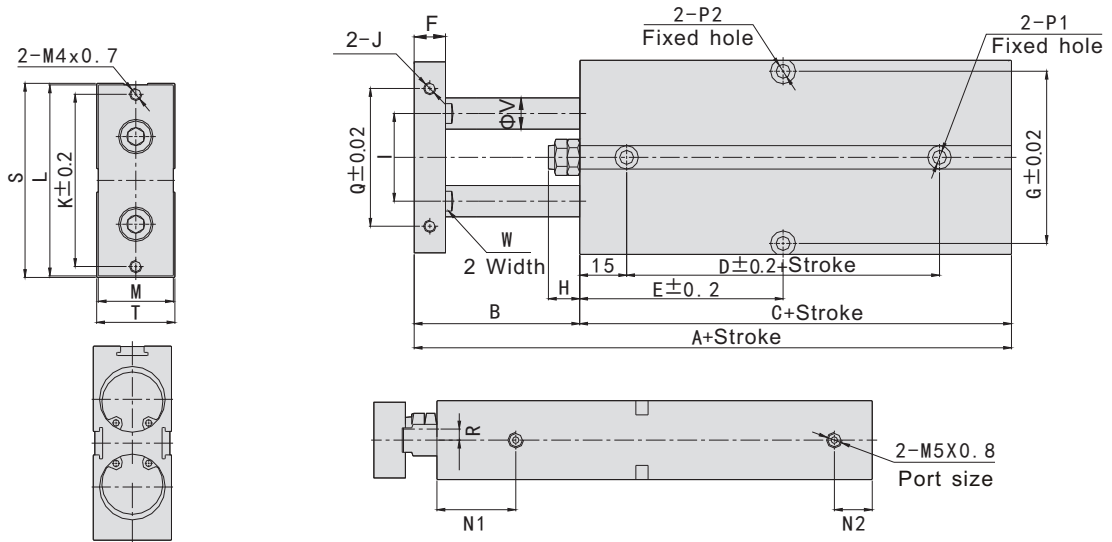
Φ 10



Sign/Stroke	10	20	30	40	50	60	70
E	30	30	35	40	45	50	55

## TN Series Double-shaft Cylinder

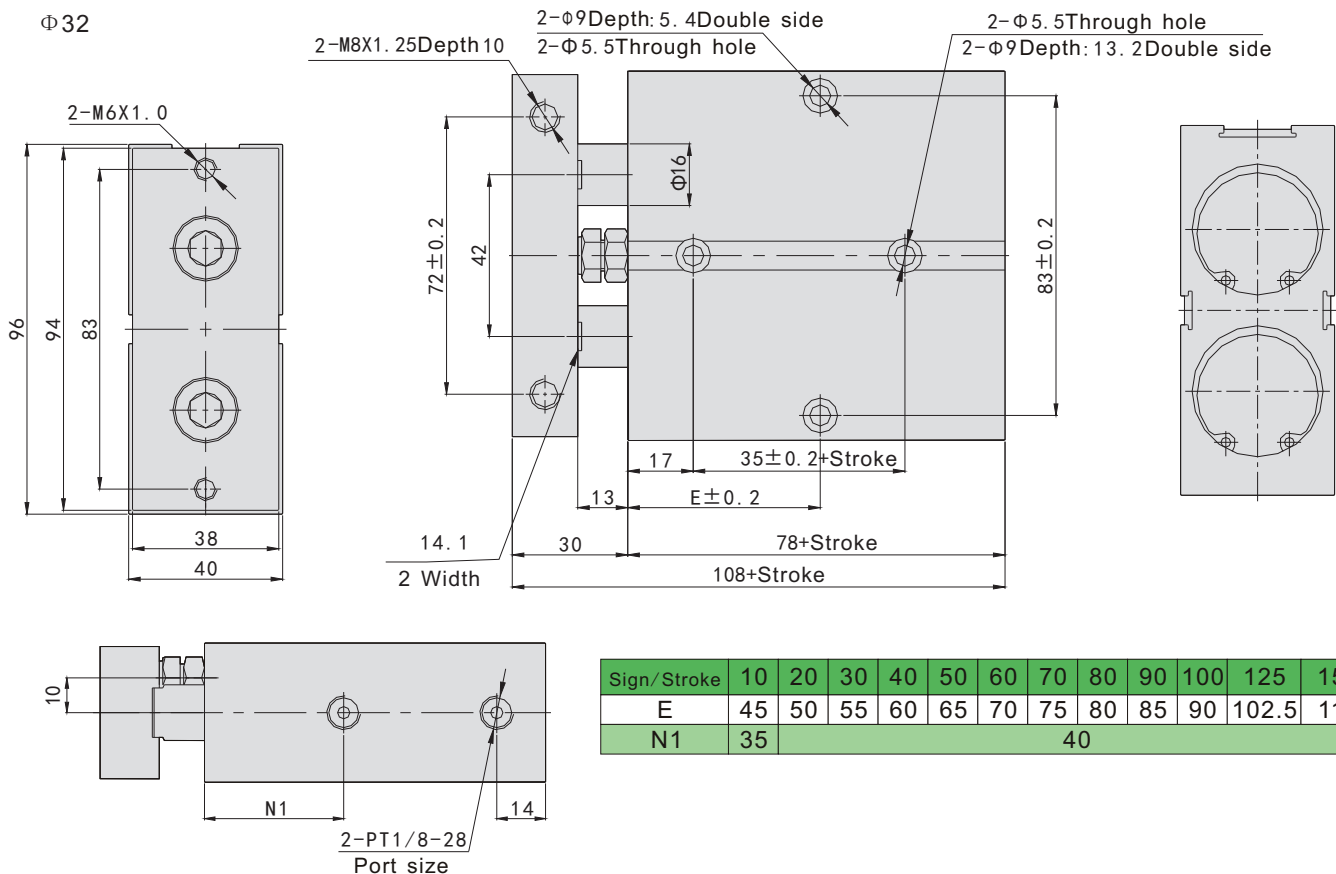
Φ16-Φ25



Bore/Sign	A	B	C	D	E (Stroke ≤)										F	G	H	I	J	K	L	M	N1	N2		
					10	20	30	40	50	60	70	80	90	100											125	150
16	68	15	53	20	30	35	40	45	50	55	60	65	70	75	87.5	100	8	47	7	24	M4X0.7Depth5	47	53	20	22	11
20	78	20	58	20	35	35	40	45	50	55	60	65	70	75	87.5	100	10	55	10	28	M4X0.7Depth5	55	61	24	25	12
25	81	19	62	30	40	40	45	50	55	60	65	70	75	80	92.5	105	10	66	9	34	M4X0.7Depth6	66	72	29	27	12

Bore/Sign	P1 (mm)				P2 (mm)				Q	R	S	T	V	W
16	Double side: Φ7.5 Depth7.2, Through hole: Φ4.5				Double side: Φ8 Depth4.5mm, Through hole: Φ4.5				34	3	54	21	8	6.1
20	Double side: Φ7.5 Depth7.2, Through hole: Φ4.5				Double side: Φ8 Depth4.5mm, Through hole: Φ4.5				44	3.5	62	25	10	8.1
25	Double side: Φ7.5 Depth7.2, Through hole: Φ4.5				Double side: Φ8 Depth4.5mm, Through hole: Φ4.5				56	6	73	30	12	10.1

Φ32



Sign/Stroke	10	20	30	40	50	60	70	80	90	100	125	150
E	45	50	55	60	65	70	75	80	85	90	102.5	115
N1	35	40										



## CXS Series Double-shaft Cylinder

Ordering Code CXS Series Double-shaft Cylinder

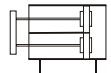
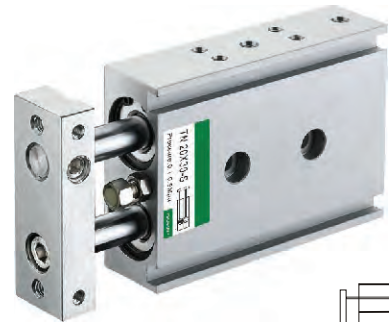
C X S M 2 0 X 5 0

Bearing Type

M: Slide bearing type  
L: Ball bearing type

Bore

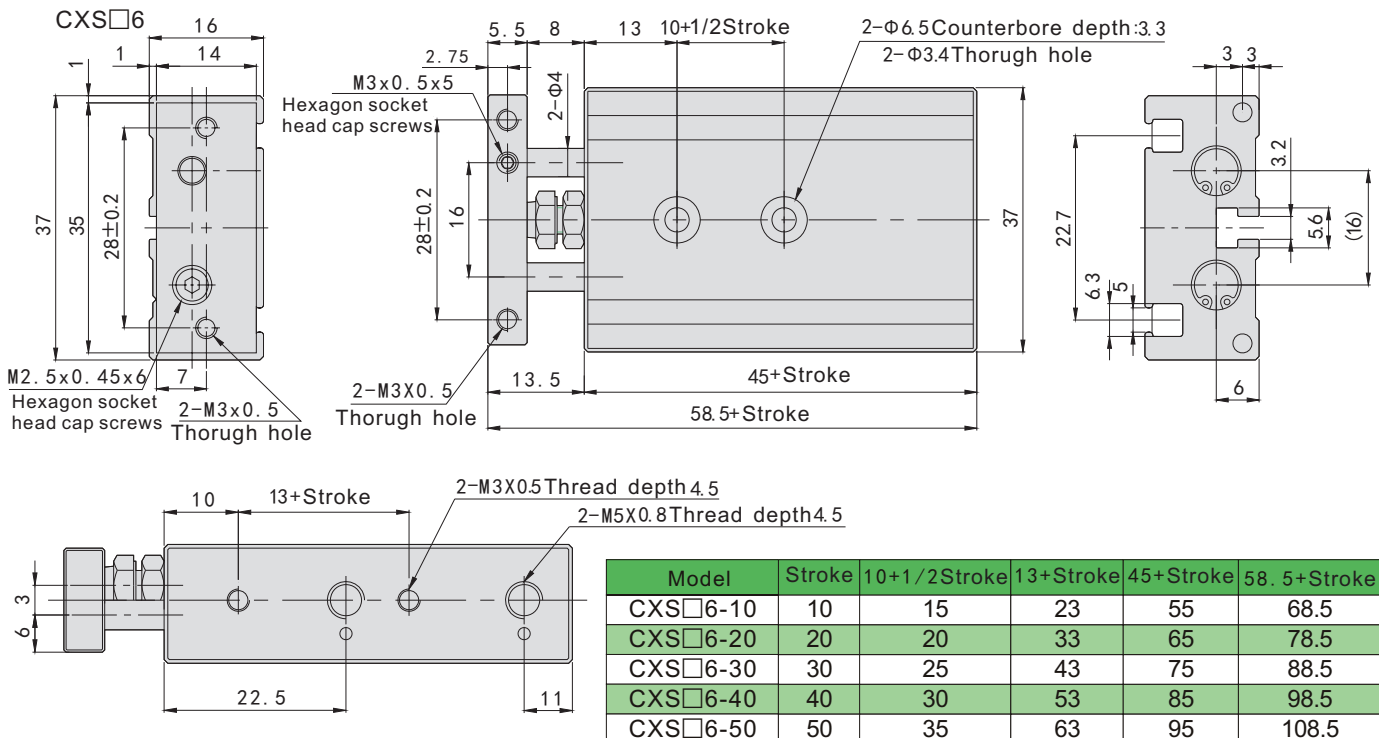
Stroke



### Specifications

Bore (mm)	6	10	15	20	25	32
Working medium	Clean air (25µm Filtration)					
Acting type	Double acting					
Working pressure range	0.1~1.0Mpa					
Guaranteed pressure	1.5Mpa					
Working temperature	-10~70°C					
Speed range	30~800mm/s					
Adjustable stroke	0~5mm					
Cushion type	Rubber Cushion					
No rotating accuracy	±0.2°	±0.15°			±0.1°	
Port size	M5X0.8				G1/8	

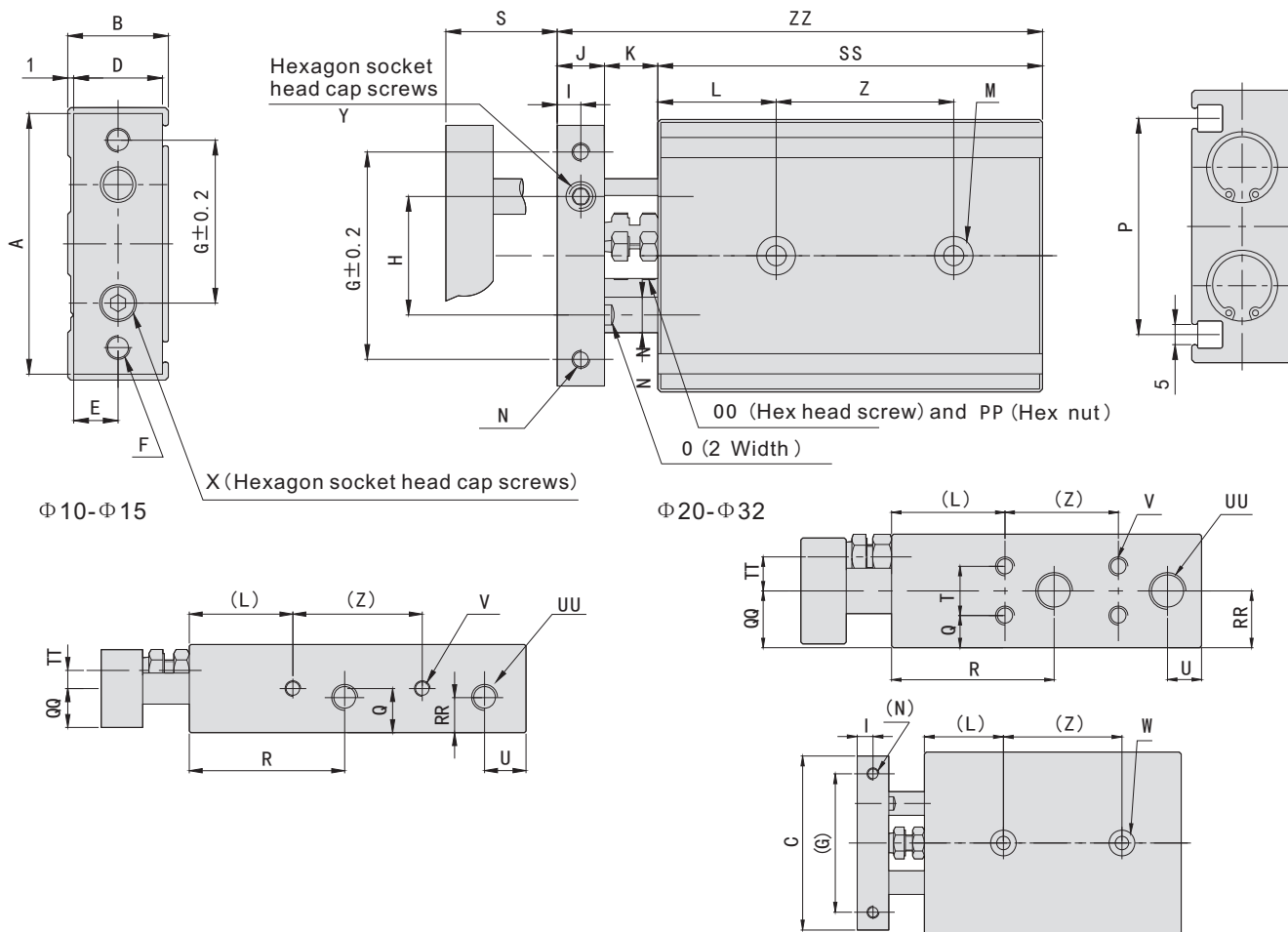
### Main Dimensions



## CXS Series Double-shaft Cylinder

### Main Dimensions

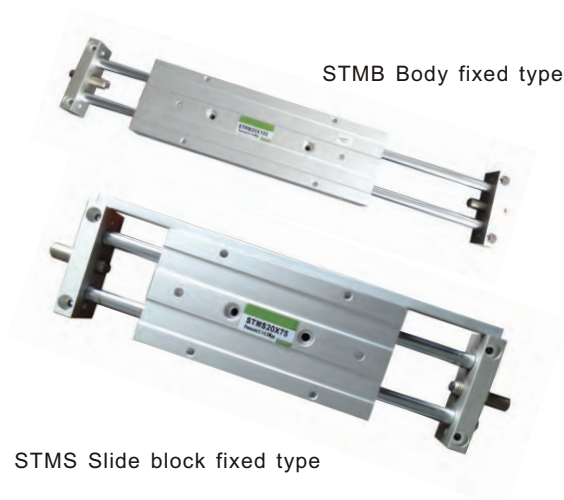
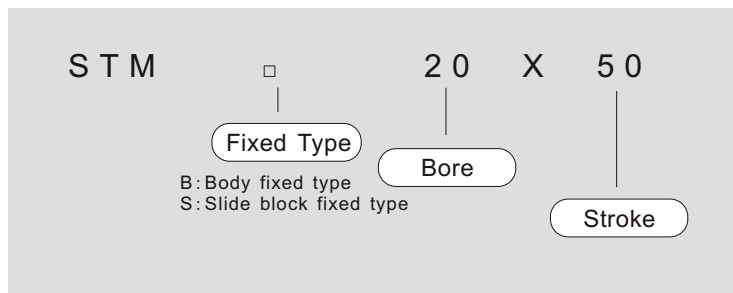
CXS□10 \ 15 \ 20 \ 25 \ 32



Model	A	B	C	D	E	F	G	H	I	J	K	L	M	N	NN	OO	P	PP	Q	QQ	R	RR	S	SS	T	TT	U	UU	V	W	X	Y	Z	ZZ						
CXS□10-10													2-Φ3.4 Through hole	2-M3 x0.5 Thread depth 5	Φ6	5	M4 x 0.7 x 14.5 L	M4 x 0.7	8.5	7	30	7	10 65 20 75				4-M5x0.8 Thread depth 4.5	4-M3x 0.5 Thread depth 4.5	2-M4 x0.7 Thread depth 7	M3 x 0.5 x 10 L	M3 x 0.5 x 5 L		30	82						
CXS□10-20						2-M4 x0.7 Through hole	35	20	4	8	9	20	2-Φ6.5 Counterbore 3.3				33.6						30 85 40 95 50 105		5	8							40	112						
CXS□10-30	46	17	44	15	7.5																													40	122					
CXS□10-40																																				40	112			
CXS□10-50																																				40	112			
CXS□15-10													2-Φ4.3 Through hole	2-M4 x0.7 Thread depth 6	Φ8	6	M4 x 0.7 x 14.5 L	M4 x 0.7	10	10	38.5	10	10 70 20 80				4-M5x0.8 Thread depth 4.5	4-M4x 0.7 Thread depth 5	2-M5 x0.8 Thread depth 8	M5 x 0.8 x 10 L	M4 x 0.7 x 4 L		25	89						
CXS□15-20						2-M5 x0.8 Through hole	45	25	5	10	9	30	2-Φ8 Counterbore 4.4										30 90 40 100 50 110		5	8									35	109				
CXS□15-30	58	20	56	18	9																														35	119				
CXS□15-40																																				35	119			
CXS□15-50																																				35	119			
CXS□20-10													2-Φ5.5 Through hole	2-M4 x0.7 Thread depth 6	Φ10	8	M6 x 1.0 x 18.5 L	M6 x 1.0	7.7	12.5	45	7.75	10 80 20 90 30 100				4-M5x0.8 Thread depth 4.5	8-M4x 0.7 Thread depth 6	2-M6 x1.0 Thread depth 10	M6 x 1.0 x 12 L	M5 x 0.8 x 5 L		30	104						
CXS□20-20																																				30	114			
CXS□20-30																																					30	114		
CXS□20-40	64	25	62	23	11.5	2-M5 x0.8 Through hole	50	28	6	12	12	30	2-Φ9.5 Counterbore 5.3																								40	134		
CXS□20-50																																					40	134		
CXS□20-75																																					40	134		
CXS□20-100																																					40	134		
CXS□25-10													2-Φ6.9 Through hole	2-M5 x0.8 Thread depth 7.5	Φ12	10	M6 x 1.0 x 18.5 L	M6 x 1.0	8.5	15	46	15	10 82 20 92 30 102				8-M5 x0.8 Thread depth 7.5	2-M8 x1.25 Thread depth 12	M6 x 1.0 x 14 L	M6 x 1.0 x 5 L		30	106							
CXS□25-20																																					30	116		
CXS□25-30																																						30	116	
CXS□25-40	80	30	78	28	14	2-M6 x1.0 Through hole	60	35	6	12	12	30	2-Φ11 Counterbore 6.3																									40	136	
CXS□25-50																																						40	136	
CXS□25-75																																						40	136	
CXS□25-100																																						40	136	
CXS□32-10													2-Φ6.9 Through hole	2-M5 x0.8 Thread depth 8	Φ16	13	M8 x 1.25 x 23 L	M8 x 1.25	9	19	56	19	10 92 20 102 30 112				4-1/8 Thread depth 6.5	8-M5 x0.8 Thread depth 7.5	2-M8 x1.25 Thread depth 12	M8 x 1.25 x 16 L	M8 x 1.25 x 8 L		40	122						
CXS□32-20																																						40	122	
CXS□32-30																																							40	122
CXS□32-40	98	38	96	36	18	2-M6 x1.0 Through hole	75	44	8	16	14	30	2-Φ11 Counterbore 6.3																										40	122
CXS□32-50																																							40	122
CXS□32-75																																							40	122
CXS□32-100																																							40	122

## STM Series Slide Cylinder

### Ordering Code STM Series Slide Cylinder



### Performance

- \* Two type of fixed type&slide block fixed type;
- \* Double shaft provide good anti-bend performance and guarantee long life cycle and correct direction;
- \* Using the high temperature sealing material, guarantee a good condition under 150°C;
- \* Magnet is permanently mounted, which can trigger the magnetic switch to judge the movement position.



### Specifications

Bore (mm)	10	16	20	25
Working medium	Clean air (25µm Filtration)			
Acting type	Double acting			
Working pressure range	0.1~1.0Mpa			
Guaranteed pressure	1.5Mpa			
Working temperature	-20~70°C			
Speed range	30~500mm/s			
Stroke Tolerance	+1.0 0 mm			
Cushion type	Shock absorber (Optional)			
No-rotating accuracy	±0.1°	±0.05°		
Port size	M5X0.8			G1/8

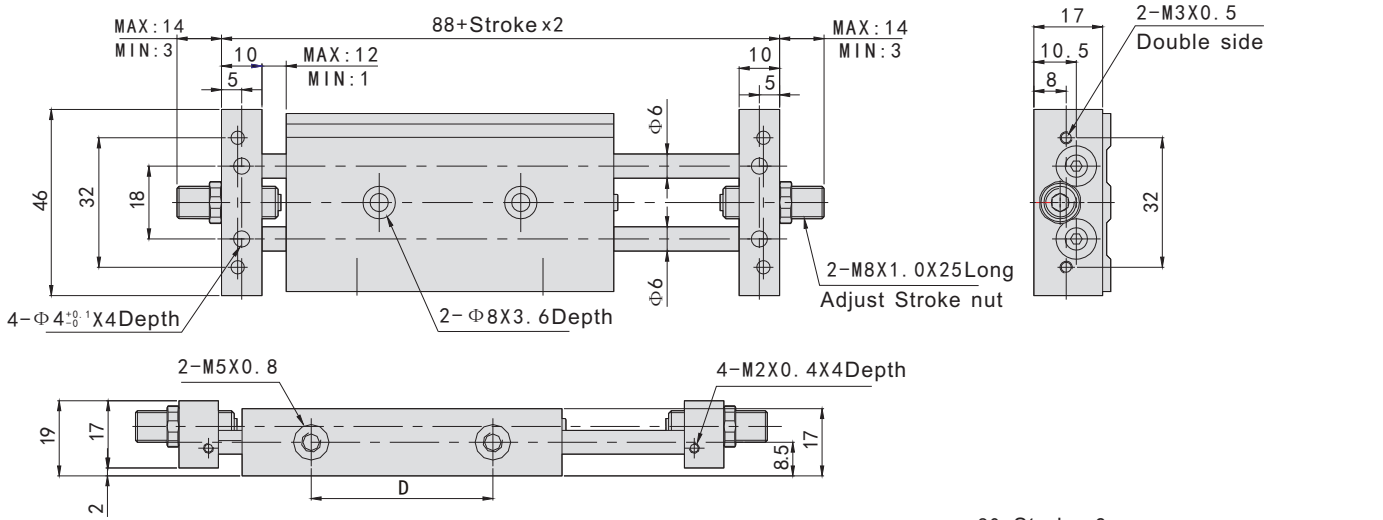
### Stroke remark

Bore (mm)	Standard Stroke (mm)	Max. Stroke	Permit Stroke
10	25 50 75 100	100	150
16	25 50 75 100 125 150 175 200	200	250
20	25 50 75 100 125 150 175 200 250	250	300
25	25 50 75 100 125 150 175 200 250	250	300

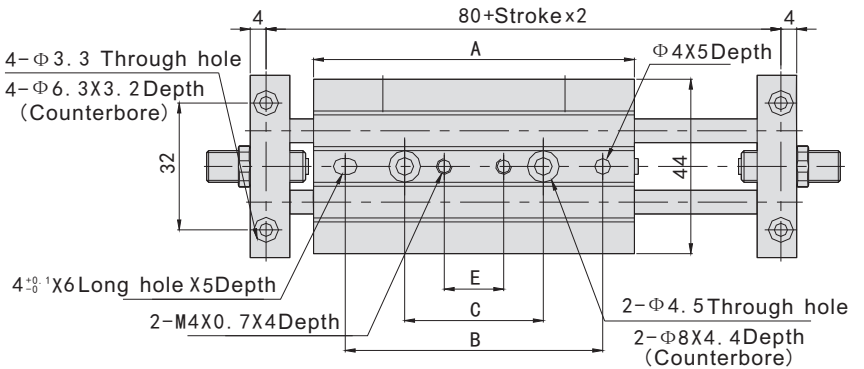
# STM Series Slide Cylinder

## Main Dimensions

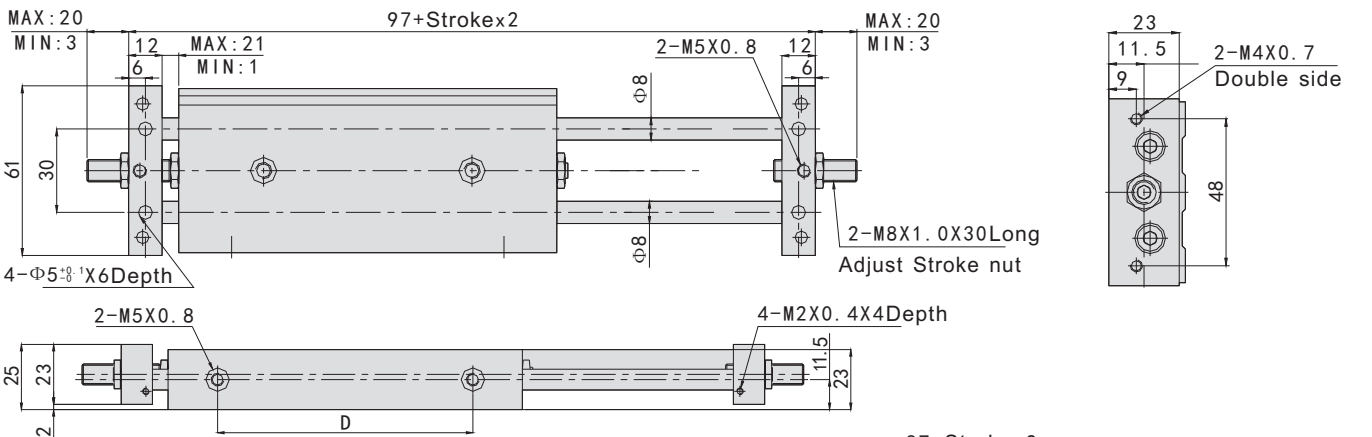
Φ10



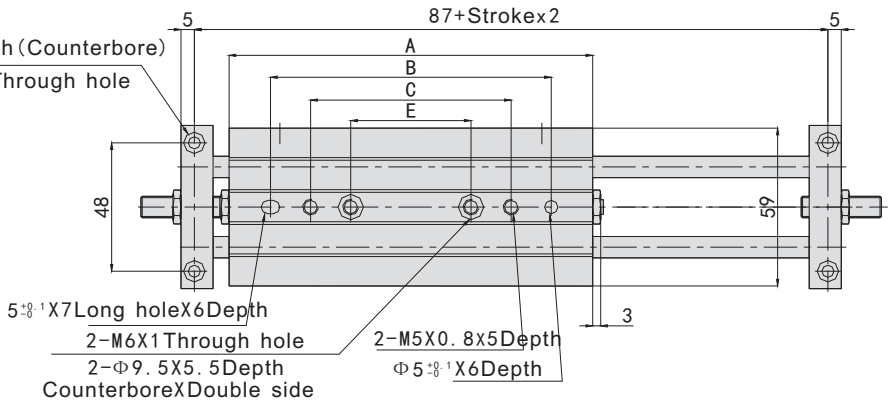
Sign/Stroke	25	50	75	100
A	81	106	131	156
B	65	85	85	85
C	35	60	60	60
D	46	71	96	121
E	15	40	40	40



Φ16



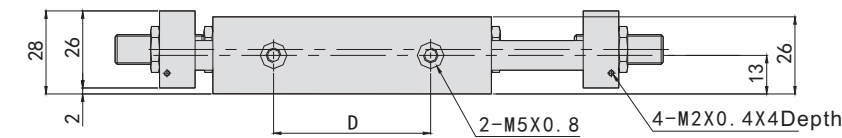
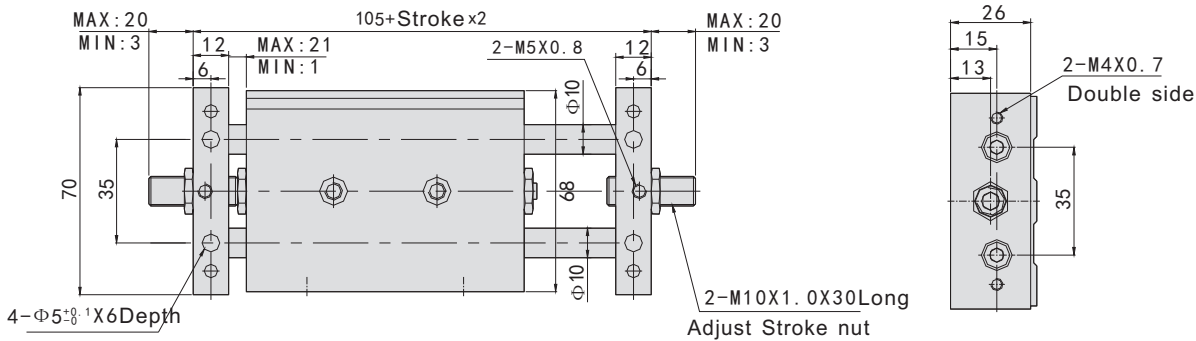
Sign/Stroke	A	B	C	D	E
25	86	55	-	48	25
50	111	80	-	73	40
75	136	105	75	98	45
100	161	130	100	123	70
125	186	150	120	148	90
150	211	150	120	173	90
175	236	150	120	198	90
200	261	150	120	223	90



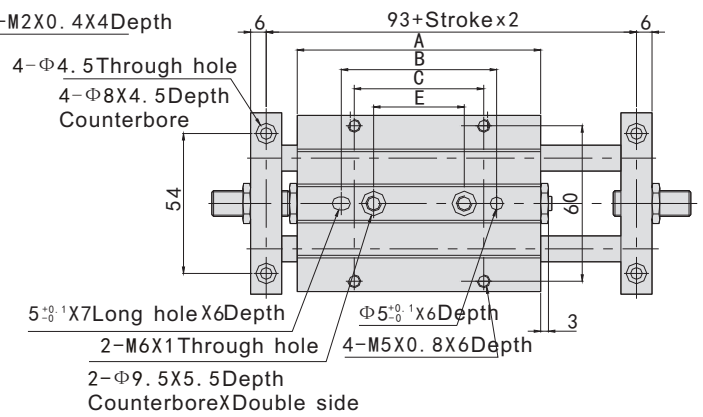
# STM Series Slide Cylinder

## Main Dimensions

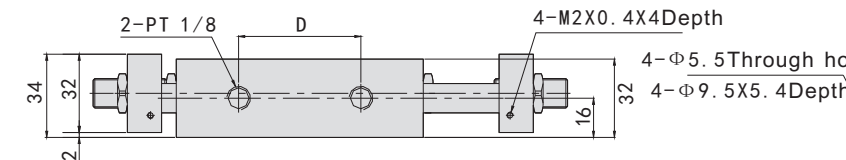
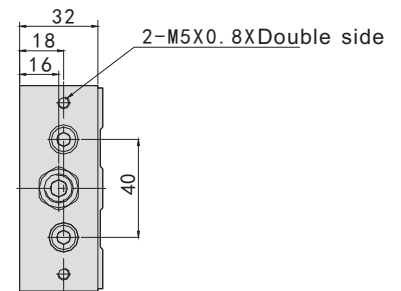
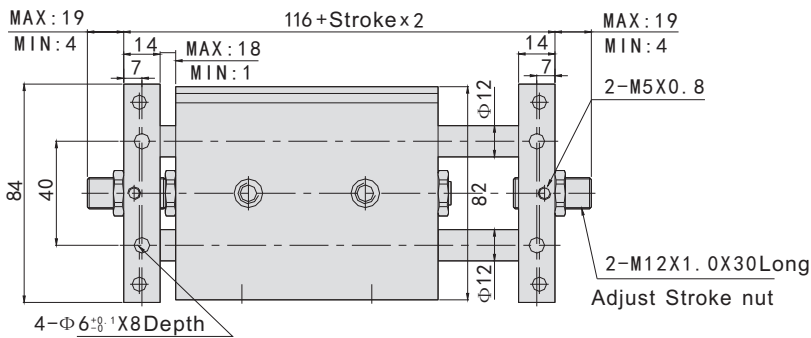
Φ20



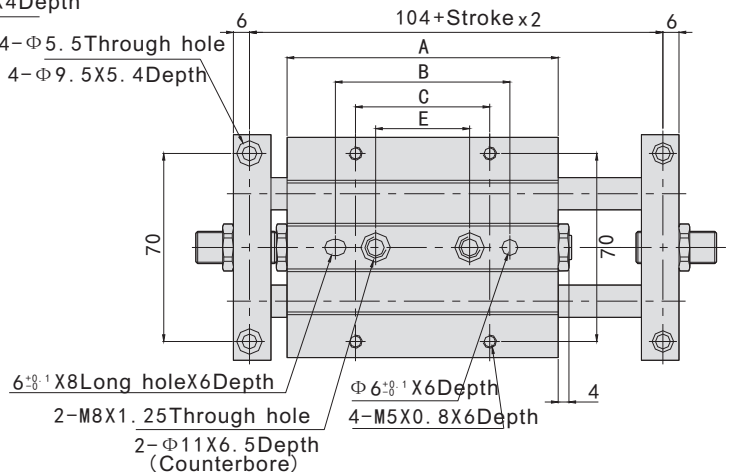
Stroke/Sign	A	B	C	D	E
25	94	60	50	53	35
50	119	85	50	78	45
75	144	110	75	103	45
100	169	135	100	128	70
125	194	150	120	153	90
150	219	150	120	178	90
175	244	150	120	203	90
200	269	150	120	228	90
250	319	150	120	278	90



Φ25

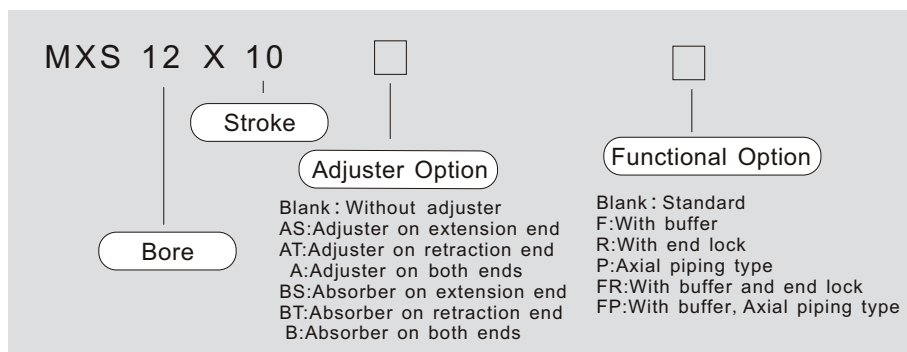


Stroke/Sign	A	B	C	D	E
25	101	65	50	50	35
50	126	90	50	75	45
75	151	115	75	100	45
100	176	140	100	125	70
125	201	140	100	150	95
150	226	140	100	175	100
175	251	140	100	200	100
200	276	140	100	225	100
250	326	140	100	275	100



## MXS Series Slide Cylinder

### Ordering Code MXS Series Slide Cylinder

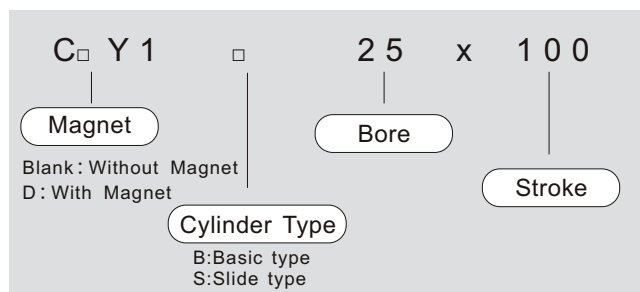


### Specifications

Model	MXS 6	MXS 8	MXS 12	MXS 16	MXS 20	MXS 25
Bore (mm)	Φ6x2 (equal to Φ8)	Φ8x2 (equal to Φ11)	Φ12x2 (equal to Φ17)	Φ16x2 (equal to Φ22)	Φ20x2 (equal to Φ28)	Φ25x2 (equal to Φ35)
Working medium	Clean air (40μm Filtration)					
Acting type	Double acting					
Max. Working Pressure	0.7Mpa					
Min. Working Pressure	0.15Mpa					
Working temperature	-10~60°C					
Speed of piston	50~500mm/s					
Lubrication	No					
Cushion type	Rubber Cushion					
Port size	M3x0.5	M5x0.8			G1/8	

## CY1 Series Rodless Cylinder

### Ordering Code CY1 Series Rodless Cylinder

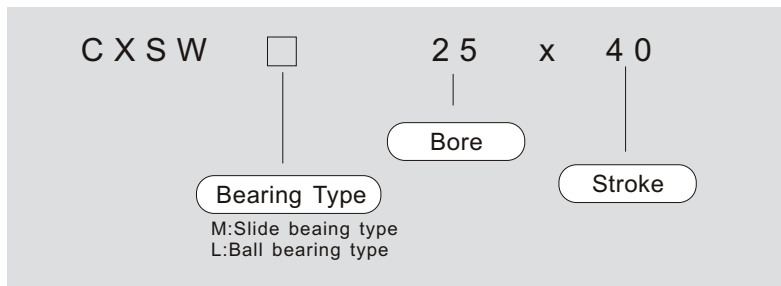


Bore (mm)	6	10	15	25	32	40	50	63
Acting type	Double acting							
Working medium	Clean air (40μm Filtration)							
Working temperature	-5~60°C							

Bore (mm)	6	10	15	25	32	40	50	63
Pressure range	0.18~0.71Mpa							
Guaranteed pressure	1.05Mpa							
Speed range	50~400mm/s							
Cushion type	Rubber Cushion							
Lubrication	No							
Port size	M5X0.8			G1/8			G1/4	

## CXSW Series Double-shaft Cylinder

Ordering Code CXSW Series Double-shaft Cylinder

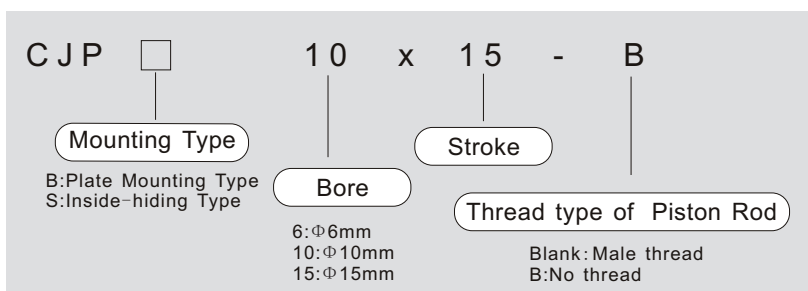


### Specifications

Bore (mm)	6	10	15	20	25	32
Working medium	Clean air (40µm Filtration)					
Acting type	Double acting					
Max. Working Pressure	0.7Mpa					
Min. Working Pressure	0.15Mpa			0.1Mpa		
Cushion type	Rubber Cushion					
Working temperature	-5~60°C					
Speed of piston	50~500mm/s					
Stroke adjustable Range	0~-10mm/s					
Port size	M5X0.8				G1/8"	

## CJP Series Needle Cylinder

Ordering Code CJP Series Needle Cylinder



### Specifications

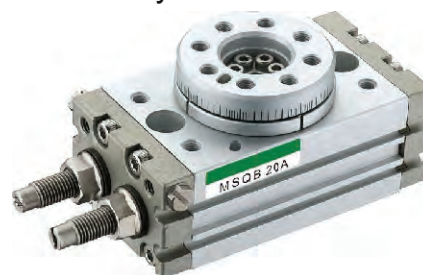
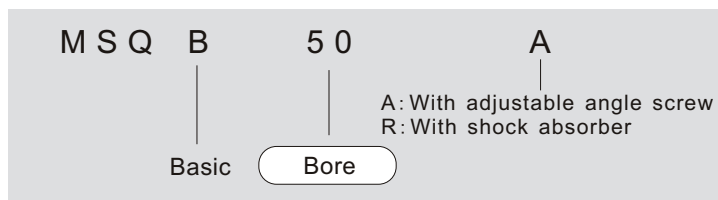
Bore (mm)	6	10	15
Working medium	Clean air (40µm Filtration)		
Acting type	Single acting spring return		
Pressure range	0.2~0.7Mpa	0.15~0.7Mpa	
Max. pressure	1.05Mpa		

Bore (mm)	6	10	15
Working temperature	-5~60°C		
Stroke Tolerance	+1.0 0		
Port size	M5X0.8(Plate mounting type)		
Cushion type	No		



## MSQ Series Rotary Table, Rack&Pinion Cylinder

Ordering Code MSQ Series Rotary Table, Rack&Pinion Cylinder

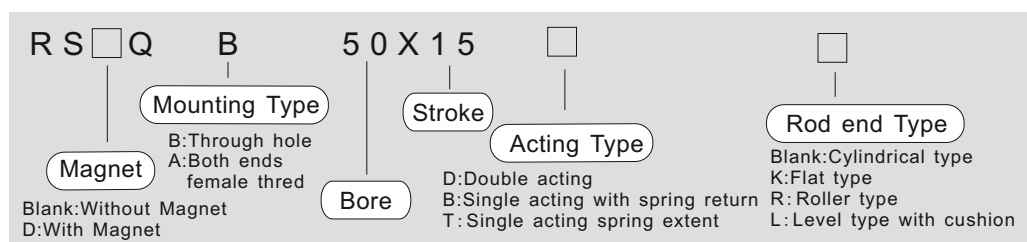


### Specifications

Bore (mm)		10	20	30	50	70	100	200	
Working medium		Clean air (40µm Filtration)							
Working pressure range		With adjustable angle screw: 0.1~1.0Mpa, With shock absorber: 0.1~0.6Mpa							
Cushion type		Cushion rubber cushion (Standard) / Shock absorber (Optional)							
Allowed power	With adjustable angle screw	0.007J	0.025J	0.048J	0.081J	0.24J	0.32J	0.56J	
	With shock absorber	0.039J	0.116J		0.294J	1.1J	1.6J	2.9J	
Angle adjustable range		0~190°							
Steady swing time range		A			0.2~1.0s/90°		0.2~1.5s/90°	0.2~2.0s/90°	0.2~2.5s/90°
		R			0.2~0.7s/90°		0.2~1.0s/90°		
Piston diameter		Φ 15	Φ 18	Φ 21	Φ 25	Φ 28	Φ 32	Φ 40	
Port size		M5X0.8			G1/8				

## RSQ Series Stopper Cylinder

Ordering Code RSQ Series Stopper Cylinder

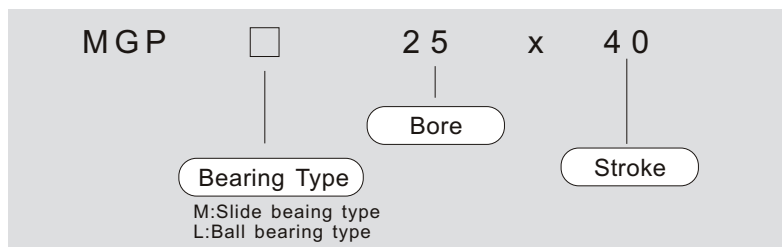


### Specifications

Bore (mm)	20	32	40	50
Working medium	Clean air (40µm Filtration)			
Acting type	Double acting, Single acting with spring return, Single acting spring extent			
Rod end Type	Round bar, Flat bar, Roller	Round bar, Flat bar, Roller, Level, Lever Roller Type		
Guaranteed pressure	1.0Mpa			
Working temperature	No magnet: -10~70°C With magnet: -10~60°C			
Cushion type	Both ends rubber cushion			
Port size	G1/8"			

## MGP Series Three-shaft Cylinder

Ordering Code MGP Series Three-shaft Cylinder

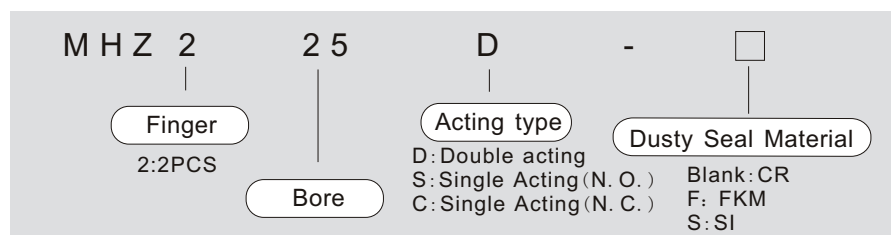


### Specifications

Bore (mm)		12	16	20	25	32	40	50	63	80	100
Working medium		Clean air (40µm Filtration)									
Acting type		Double acting									
Guaranteed pressure		1.5Mpa									
Working pressure range		0.12-1.0Mpa									
Bearing		Slide bearing/Ball bushing bearing									
Non-rotating accuacy	Slide bearing	±0.08°	±0.07°	±0.06°	±0.05°	±0.04°					
	Ball bushing bearing	±0.10°	±0.09°	±0.08°	±0.06°	±0.05°					
Port size		M5X0.8		G1/8			G 1/4		G3/8		

## MHZ Series Style Air Cylinder

Ordering Code MHZ Series Style Air Cylinder



### Specifications

Bore (mm)		6	10	16	20	25	32	40	
Working medium		Clean air (40µm Filtration)							
Working temperature		-10~60°C							
Working pressure range (Mpa)	Double Acting	0.15~0.7	0.2~0.7	0.1~0.7			0.1~0.7		
	Single Acting	0.3~0.7	0.35~0.7	0.25~0.7			0.25~0.7		
Repeatability		±0.01					±0.02		
Max. acting frequency		180c.p.m					60c.p.m		
Lubrication		Not Required							
Port size		M3X0.5			M5X0.8				

## MHL Series Parallel Style Wide Opening Air Cylinder

Ordering Code MHL Series Parallel Style Wide Opening Air Cylinder

MHL 2 - 25 D

Finger 2:2PCS

Bore

Acting type  
D: Double acting

Finger Open/Close Stroke

Bore(mm)	Φ10	Φ16	Φ20	Φ25	Φ32	Φ40
Blank	20	30	40	50	70	100
1	40	60	80	100	120	160
2	60	80	100	120	160	200



### Specifications

Bore (mm)	10	16	20	25	32	40
Working medium	Clean air (40µm Filtration)					
Guaranteed pressure	0.6Mpa					
Min. Working pressure	0.15Mpa	0.1Mpa				
Working temperature	-10~60°C					
Repeatability	±0.1mm					
Effective gripping force (N. M)	14	45	74	131	228	396
Port size	M5X0.8				G1/8	

## MHT Series Angle Style Air Gripper Toggle Type

Ordering Code MHT Series Angle Style Air Gripper Toggle Type

MHT 2 - 32 D

Finger 2:2PCS

Bore

Acting type  
D: Double acting



### Specifications

Model	MHT2-32D	MHT2-40D	MHT2-50D	MHT2-63D
Bore (mm)	Φ32	Φ40	Φ50	Φ63
Working medium	Clean air (40µm Filtration)			
Min. Working pressure	0.6Mpa			
Max. Working pressure	0.1Mpa			
Working temperature	-10~60°C			
Lubrication	Not Required			
Finger Open/Close Angle	-3~28°	-3~27°	-2~23°	-2~23°
Effective gripping force (N. M)	12.4	36.0	63.0	106

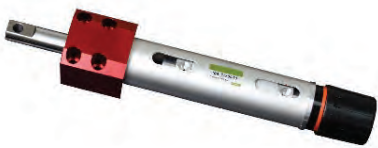
Special Cylinder

Special Cylinder

VPC have their new product development team, responsible for product design and development. For the R&D department set up a high level of structural engineer team. Each product as per the drawings to after repeated demonstration structural engineers, product managers, and customer's final confirmation.

Before the product put into the market, we have a variety of performance testing, life testing, for this VPC has import a lot of test equipment, in order to confirm the product has a variety of reliable performance.

As long as you tell us your detail requirements. VPC promise purchase to customized products for you within 50 days.



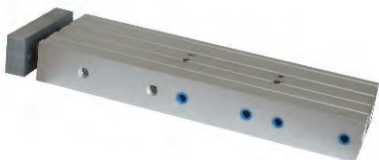
VQAL32x50-50



VPC50x100-GB



VPC80x500-63x450



TN/CXS Series  
Multy Force  
Pneumatic Cylinder  
Φ20~Φ32



MA Series  
Full Stainless Steel  
Pneumatic Cylinder  
Φ16~Φ50



SC Series  
Full Stainless Steel  
Pneumatic Cylinder  
Φ32~Φ63

## Cylinder Assembly Kits

### Full Set Kits



**DNC (ISO6431&VDMA24562)**  
Bore Side:  $\Phi 32$ ,  $\Phi 40$ ,  $\Phi 50$ ,  
 $\Phi 63$ ,  $\Phi 80$ ,  $\Phi 100$ ,  $\Phi 125$



**MI (ISO6432)**  
Bore Side:  $\Phi 8$ ,  $\Phi 10$ ,  $\Phi 12$ ,  
 $\Phi 16$ ,  $\Phi 20$ ,  $\Phi 25$ ,  $\Phi 32$



**MAL**  
Bore Side:  $\Phi 16$ ,  $\Phi 20$ ,  $\Phi 25$ ,  
 $\Phi 32$ ,  $\Phi 40$



**SI (ISO6431)**  
Bore Side:  $\Phi 32$ ,  $\Phi 40$ ,  $\Phi 50$ ,  $\Phi 63$ ,  
 $\Phi 80$ ,  $\Phi 100$ ,  $\Phi 125$ ,  $\Phi 160$ ,  $\Phi 200$



**SC (ISO6431)**  
Bore Side:  $\Phi 32$ ,  $\Phi 40$ ,  $\Phi 50$ ,  $\Phi 63$ ,  
 $\Phi 80$ ,  $\Phi 100$ ,  $\Phi 125$ ,  $\Phi 160$ ,  $\Phi 200$



**MA**  
Bore Side:  $\Phi 16$ ,  $\Phi 20$ ,  $\Phi 25$ ,  
 $\Phi 32$ ,  $\Phi 40$

### Tube & Rod



**SDA Aluminum Tube**  
Bore Side:  $\Phi 12$ ,  $\Phi 16$ ,  $\Phi 20$ ,  $\Phi 25$ ,  
 $\Phi 32$ ,  $\Phi 40$ ,  $\Phi 50$ ,  $\Phi 63$ ,  $\Phi 80$ ,  
 $\Phi 100$ ,  $\Phi 125$



**SC Aluminum Tube**  
Bore Side:  $\Phi 32$ ,  $\Phi 40$ ,  $\Phi 50$ ,  $\Phi 63$ ,  
 $\Phi 80$ ,  $\Phi 100$ ,  $\Phi 125$ ,  $\Phi 160$ ,  $\Phi 200$ ,  
 $\Phi 250$



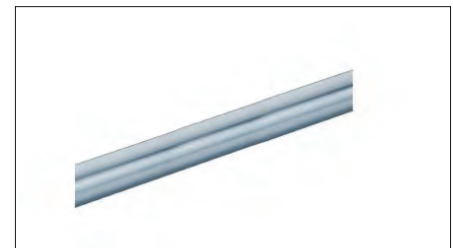
**SI Aluminum Tube**  
Bore Side:  $\Phi 32$ ,  $\Phi 40$ ,  $\Phi 50$ ,  $\Phi 63$ ,  
 $\Phi 80$ ,  $\Phi 100$ ,  $\Phi 125$ ,  $\Phi 160$ ,  $\Phi 200$



**MA/MI Tube (ISO6432)**  
Stainless Steel Tube  
Bore Side:  $\Phi 16$ ,  $\Phi 20$ ,  $\Phi 25$ ,  
 $\Phi 32$ ,  $\Phi 40$





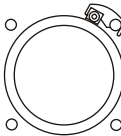



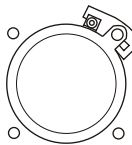







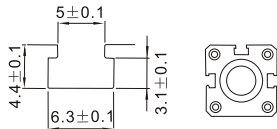


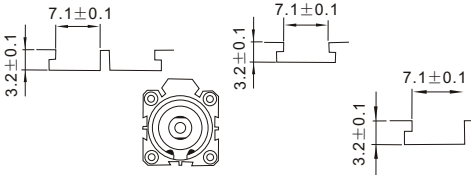


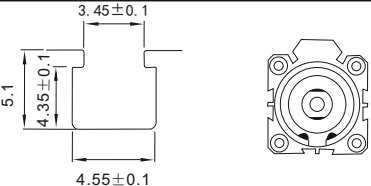


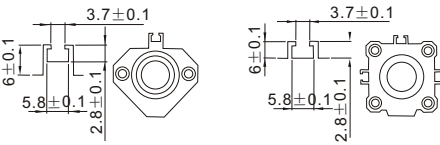


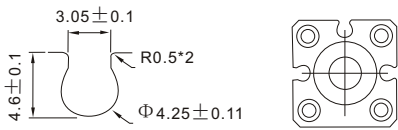
**MAL Aluminum Tube**  
Bore Side:  $\Phi 16$ ,  $\Phi 20$ ,  $\Phi 25$ ,  
 $\Phi 32$ ,  $\Phi 40$



**Piston Rod**  
(45# Steel Chrome-plated)  
Diameter:  $\Phi 4$ ,  $\Phi 5$ ,  $\Phi 6$ ,  $\Phi 8$ ,  $\Phi 10$ ,  
 $\Phi 12$ ,  $\Phi 16$ ,  $\Phi 20$ ,  $\Phi 25$ ,  $\Phi 32$ ,  $\Phi 40$ ,  
 $\Phi 45$ ,  $\Phi 50$ ,  $\Phi 60$ ,  $\Phi 70$ ,  $\Phi 80$ , etc.

## Magnet Switches

### Main Dimensions

Cylinder	Magnet Switches	Mounting	Clamp
	CSI-U 		 PAM - 63 Item Code Bore Size
	CSI-F 		 PI - 63 Item Code Bore Size
	CSI-S 		 BK Band
	CSI-M 		No Need Clamp
	CSI-J 		No Need Clamp
	CSI-G 		No Need Clamp
	CSI-J1 		No Need Clamp
	CSI-H 		No Need Clamp





8 (800) 555-63-74 бесплатные звонки по РФ  
+7 (473) 204-51-56 Воронеж  
+7 (495) 505-63-74 Москва



[www.purelogic.ru](http://www.purelogic.ru)  
[info@purelogic.ru](mailto:info@purelogic.ru)  
394033, Россия, г. Воронеж,  
Ленинский пр-т, 160, офис 149

Пн	Вт	Ср	Чт	Пт	Сб	Вс
	8 <sup>00</sup> -17 <sup>00</sup>			8 <sup>00</sup> -16 <sup>00</sup>		выходной